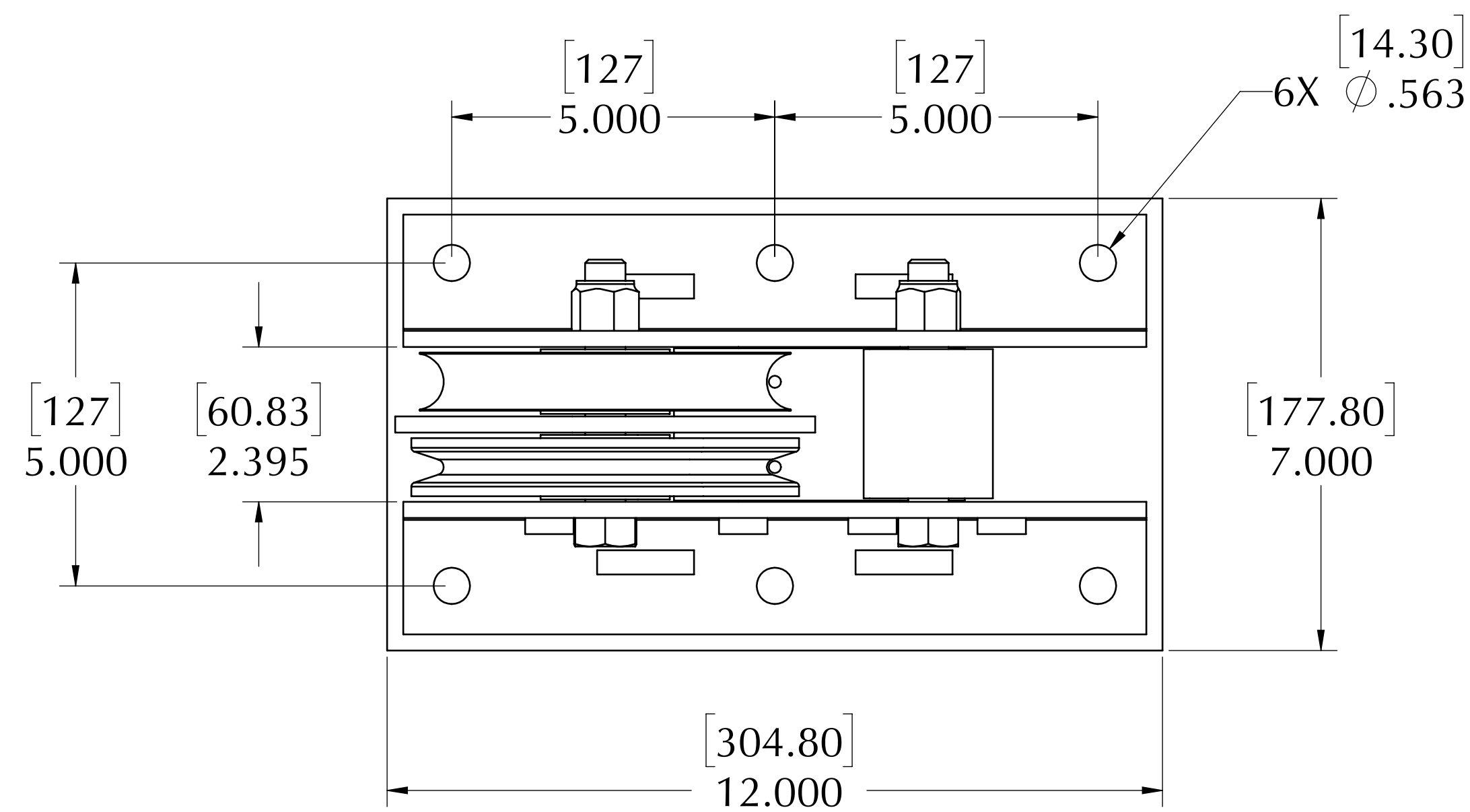
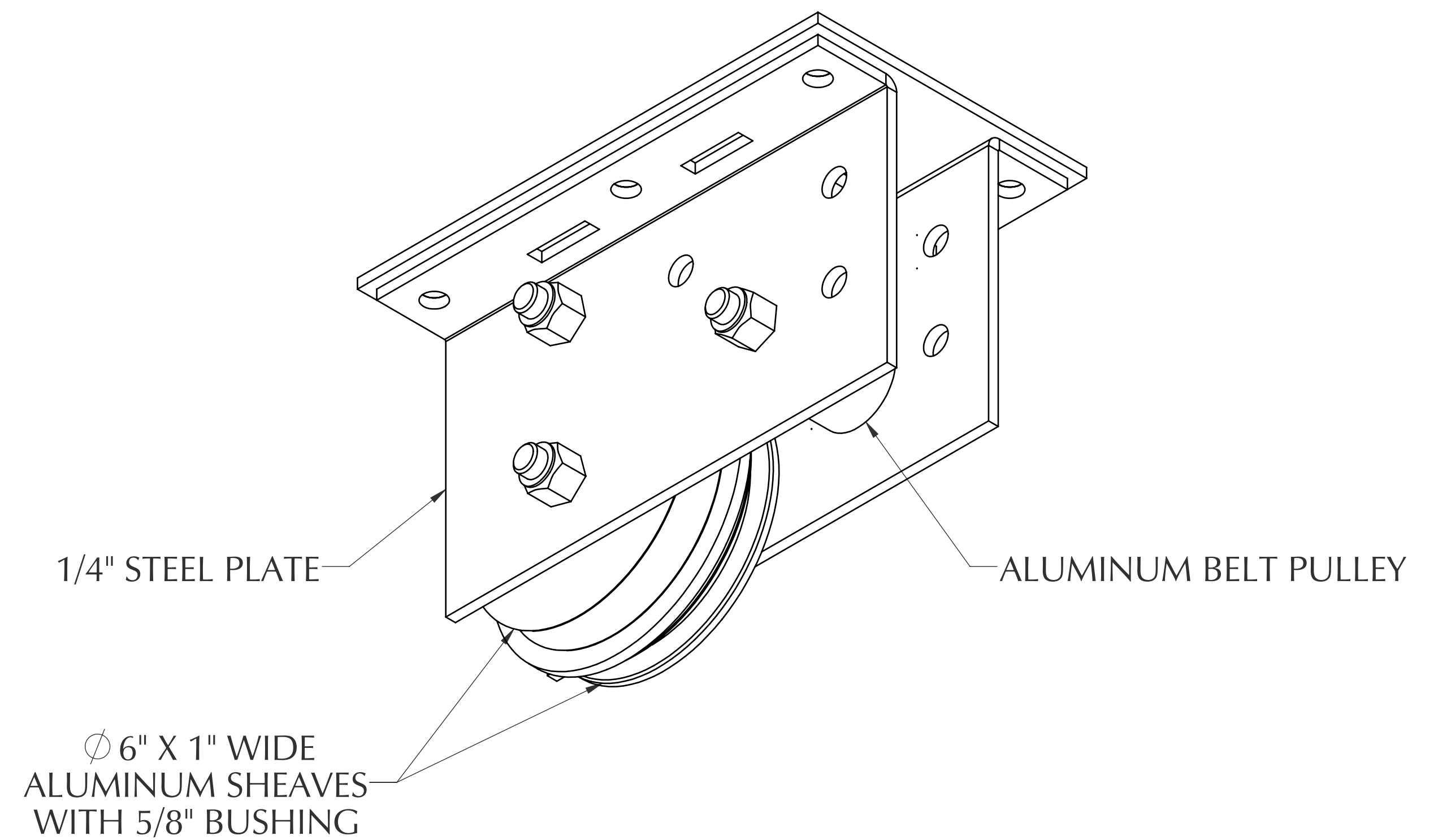
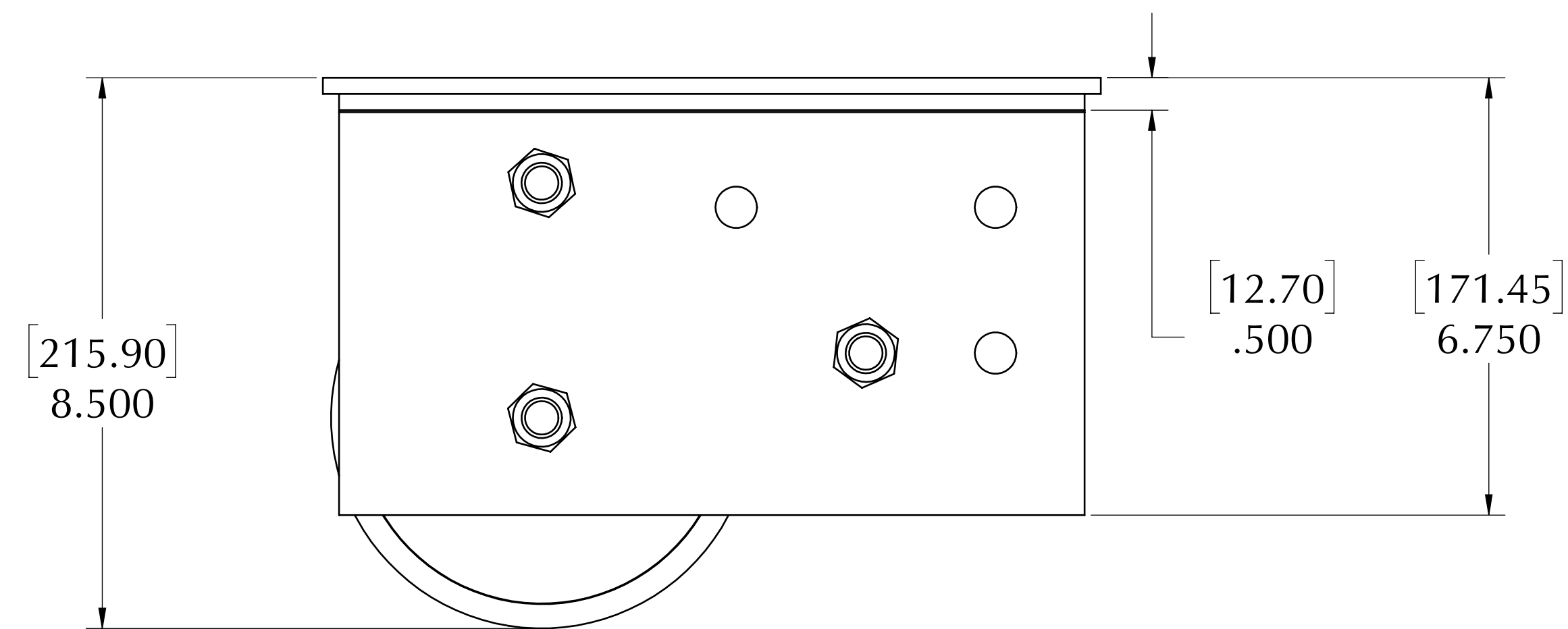


REVISIONS			
REV.	DESCRIPTION	DATE	APPROVED

CHANDELIER HOIST PULLEY SYSTEM CONFIGURATION "A" CEILING MOUNT



- NOTES:
1. MAXIMUM WEIGHT CAPACITY: 1000 LBS (453 kg).
 2. FIELD INSTALL BY QUALIFIED PERSONNEL.
 3. ALLOWS FOR HOIST AND POWER REEL ON ONE SIDE, WITH SAFETY ARRESTOR FROM OPPOSITE SIDE (ALL COMPONENTS MOUNTED ON CEILING).

PROPRIETARY AND CONFIDENTIAL
THE INFORMATION CONTAINED IN THIS DRAWING IS THE SOLE PROPERTY OF DYNAPAC ROTATING CO., INC. ANY REPLICATION IN PART OR AS A WHOLE WITHOUT THE WRITTEN PERMISSION OF DYNAPAC ROTATING CO., INC. IS PROHIBITED.
© COPYRIGHT DYNAPAC ROTATING CO., INC. ALL RIGHTS RESERVED

UNLESS OTHERWISE SPECIFIED DIMENSIONS ARE IN INCHES	APPROVALS	DATE	DYNAPAC ROTATING CO. SALT LAKE CITY, UTAH
TOLERANCES:	DRAWN ALEX CAMPBELL	5/18/18	
FRACTIONAL ± 1/32	CHECKED		
ANGULAR ± 2°	ENG. APPR.		
DECIMAL .XX ± 0.05 .XXX ± 0.010			
MATERIAL	APPLICATION	SIZE	DWG. NO.
FINISH	NEXT ASSY	D	589001
	FINAL ASSY	SCALE: 1:2	REV X
			SHEET 1 OF 3