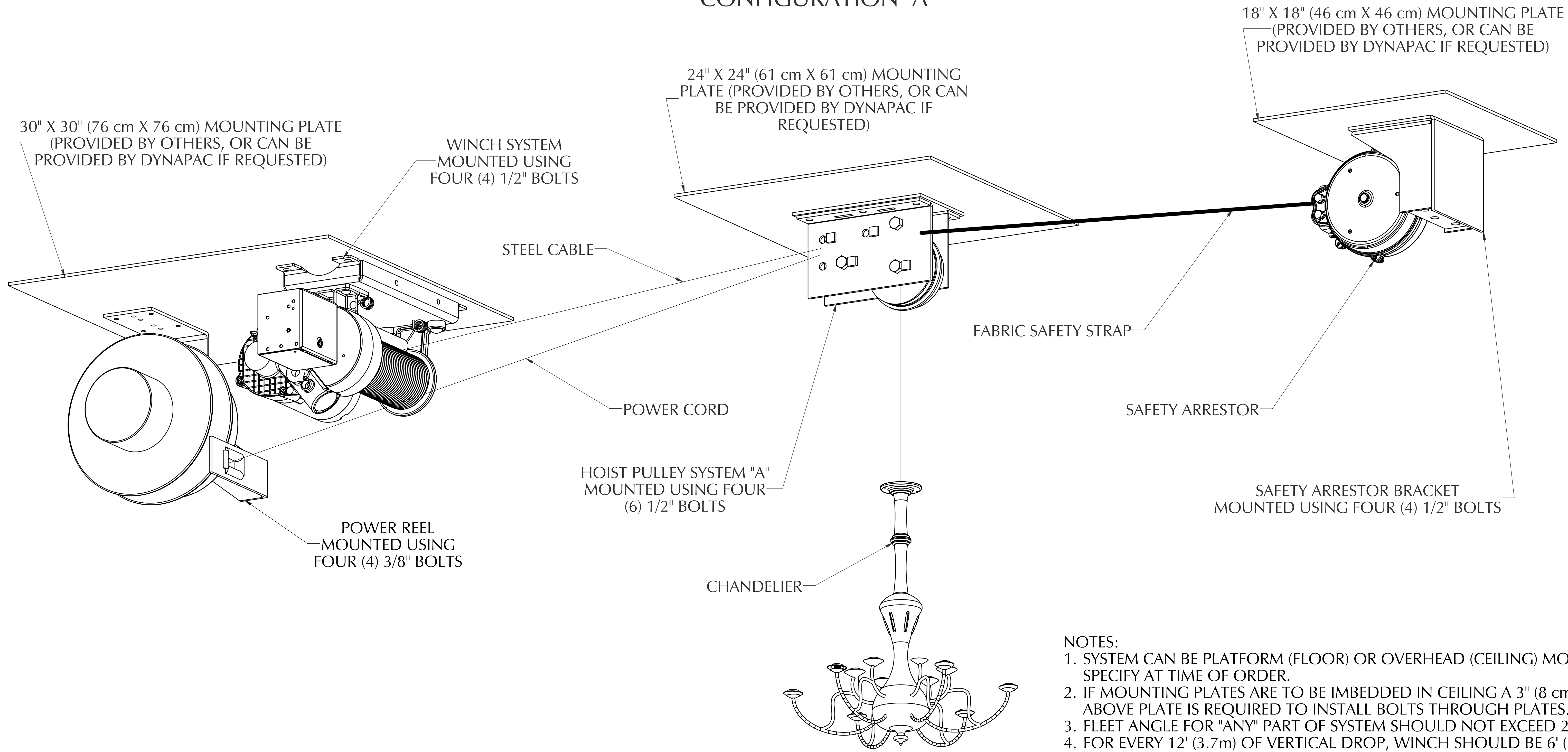


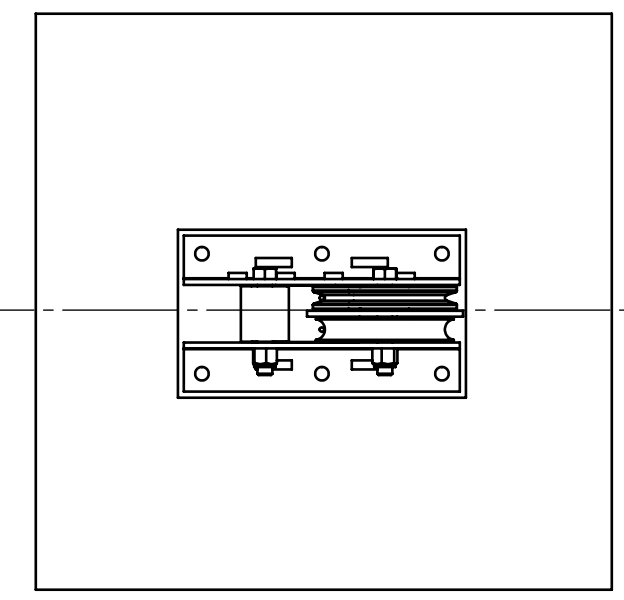
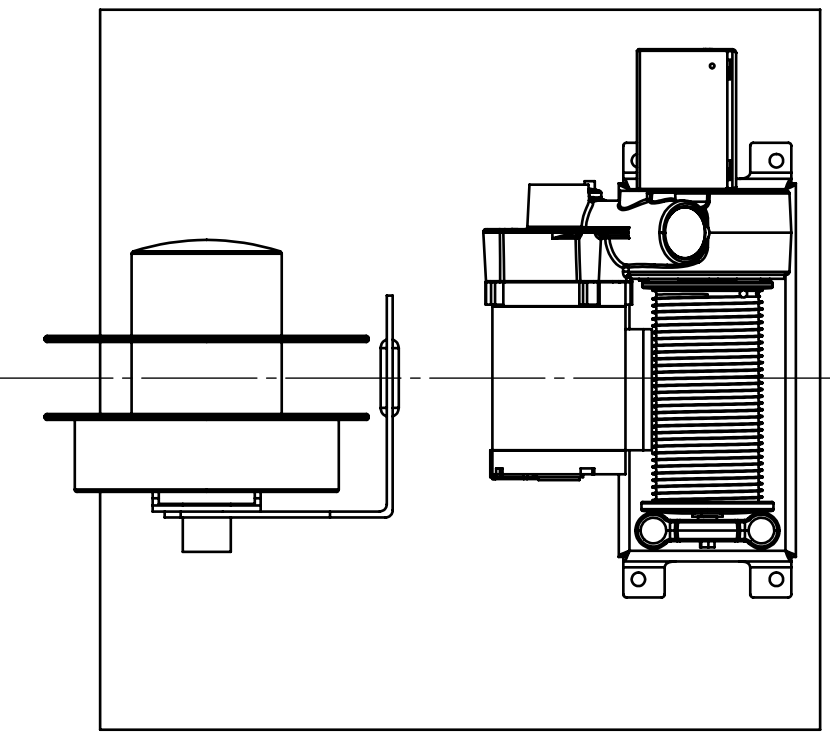
REVISIONS			
REV.	DESCRIPTION	DATE	APPROVED

# CHANDELIER WINCH SYSTEM CONFIGURATION "A"

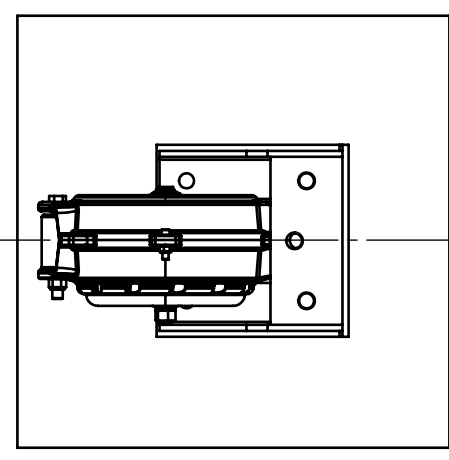


- NOTES:
1. SYSTEM CAN BE PLATFORM (FLOOR) OR OVERHEAD (CEILING) MOUNTED, SPECIFY AT TIME OF ORDER.
  2. IF MOUNTING PLATES ARE TO BE IMBEDDED IN CEILING A 3" (8 cm) SPACE ABOVE PLATE IS REQUIRED TO INSTALL BOLTS THROUGH PLATES.
  3. FLEET ANGLE FOR "ANY" PART OF SYSTEM SHOULD NOT EXCEED 2°.
  4. FOR EVERY 12' (3.7m) OF VERTICAL DROP, WINCH SHOULD BE 6' (1.8m) AWAY FROM PULLEY SYSTEM.

**MAX WEIGHT CAPACITY: 1000 LB (453 KG)**



PLAN VIEW

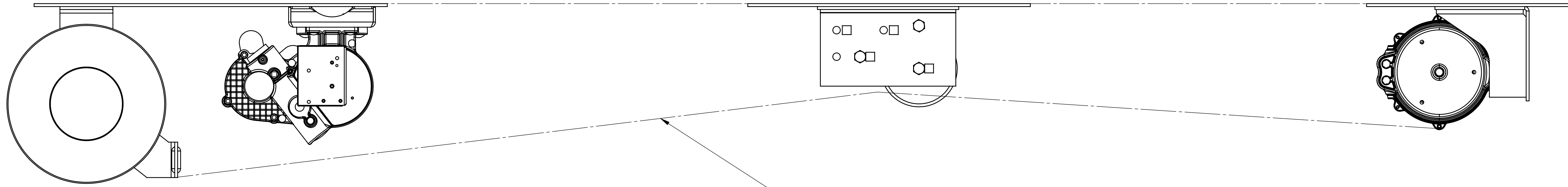


UNLESS OTHERWISE SPECIFIED DIMENSIONS ARE IN INCHES TOLERANCES: FRACTIONAL ± 1/32 ANGULAR ± 2° DECIMAL .XX ± 0.00 .XXX ± 0.010	APPROVALS	DATE	DYNAPAC ROTATING CO. SALT LAKE CITY, UTAH
	DRAWN ALEX CAMPBELL	3/14/17	
	CHECKED		
	ENG. APPR.		
MATERIAL	APPLICATION	SIZE	DWG. NO.
FINISH	NEXT ASSY	FINAL ASSY	D
SCALE: 1:4			REV A-03
SHEET 1 OF 2			

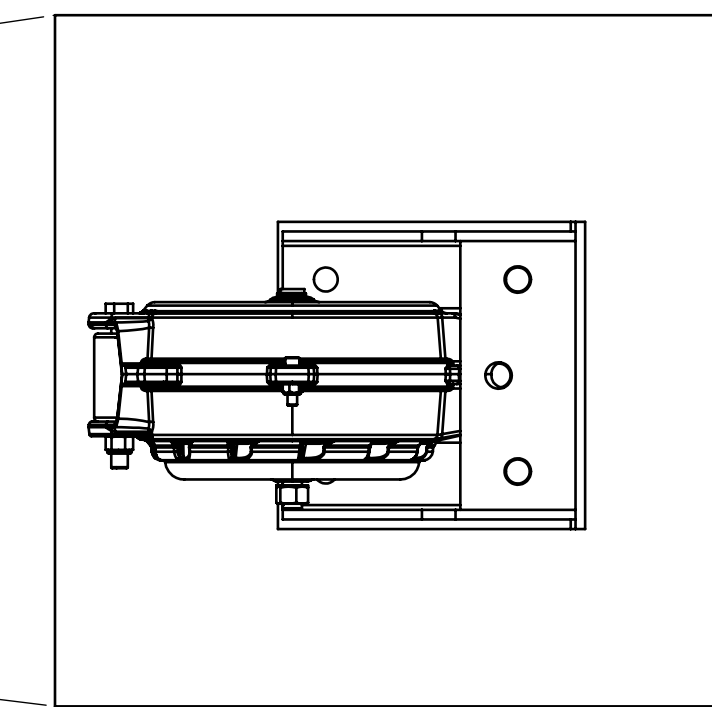
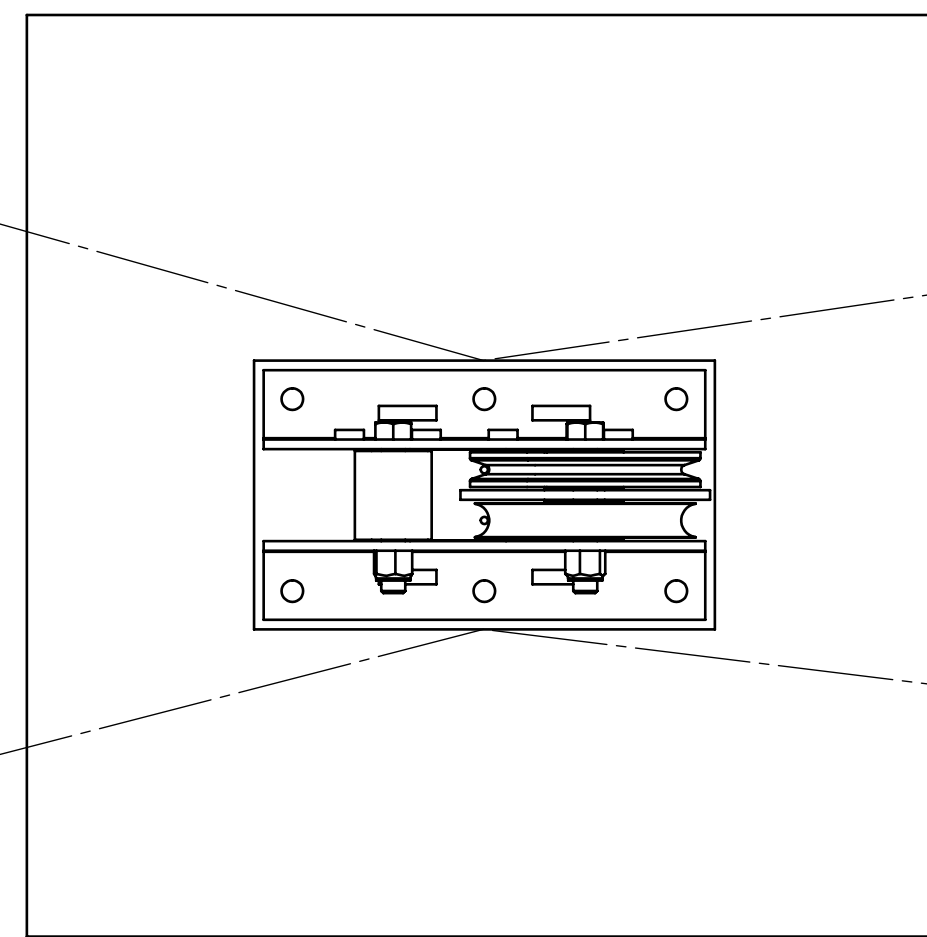
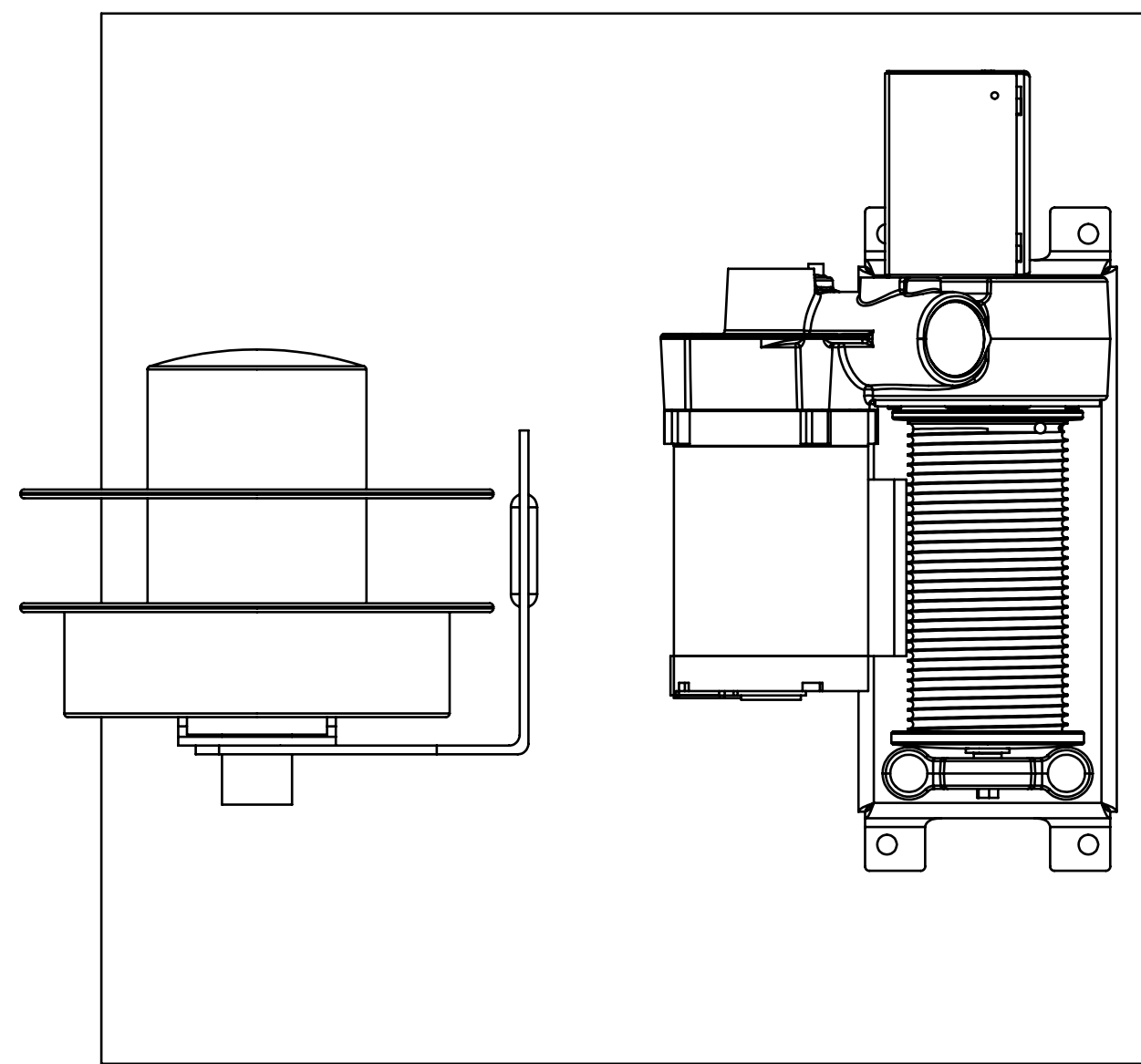
PROPRIETARY AND CONFIDENTIAL  
THE INFORMATION CONTAINED IN THIS DRAWING IS THE SOLE PROPERTY OF DYNAPAC ROTATING CO., INC. ANY REPRODUCTION IN PART OR AS A WHOLE WITHOUT THE WRITTEN PERMISSION OF DYNAPAC ROTATING CO., INC. IS PROHIBITED.  
© COPYRIGHT DYNAPAC ROTATING CO., INC. ALL RIGHTS RESERVED


# CHANDELIER WINCH SYSTEM CONFIGURATION "A"

REVISIONS			
REV.	DESCRIPTION	DATE	APPROVED



THESE AREAS NEED TO BE CLEAR  
OF OBSTRUCTIONS FOR CABLE,  
WIRE, AND SAFETY STRAP RUNS



<small>UNLESS OTHERWISE SPECIFIED DIMENSIONS ARE IN INCHES</small> <small>TOLERANCES:</small> FRACTIONAL ± 1/32 ANGULAR ± 2° DECIMAL .XX ± 0.05 .XXX ± 0.10	APPROVALS	DATE	<b>DYNAPAC ROTATING CO.</b> SALT LAKE CITY, UTAH 	
	DRAWN	ALEX CAMPBELL		3/14/17
	CHECKED			
	ENG. APPR.			
MATERIAL	APPLICATION	SIZE	DWG. NO.	
FINISH	NEXT ASSY	FINAL ASSY	SCALE: 1:5	
<small>PROPRIETARY AND CONFIDENTIAL</small> <small>THE INFORMATION CONTAINED IN THIS DRAWING IS THE SOLE PROPERTY OF DYNAPAC ROTATING CO., INC. ANY REPLICATION IN PART OR AS A WHOLE WITHOUT THE WRITTEN PERMISSION OF DYNAPAC ROTATING CO., INC. IS PROHIBITED.</small> <small>© COPYRIGHT DYNAPAC ROTATING CO., INC. ALL RIGHTS RESERVED</small>			REV. <b>A-03</b> SHEET 2 OF 2	