

Model M-6 and M-6 Hang

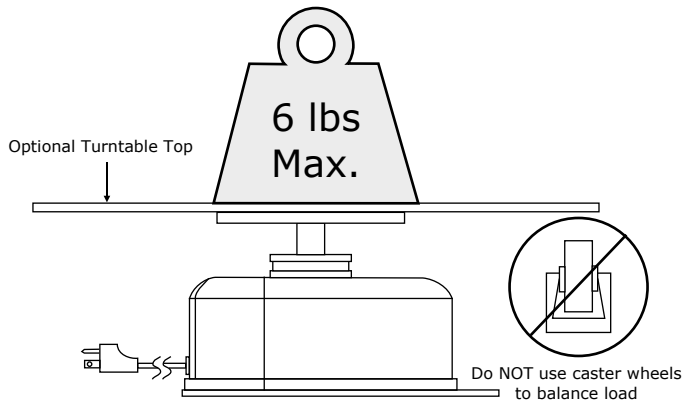
Installation and Maintenance Instructions

Questions? Call 800-657-2650 for help

For ALL installations:

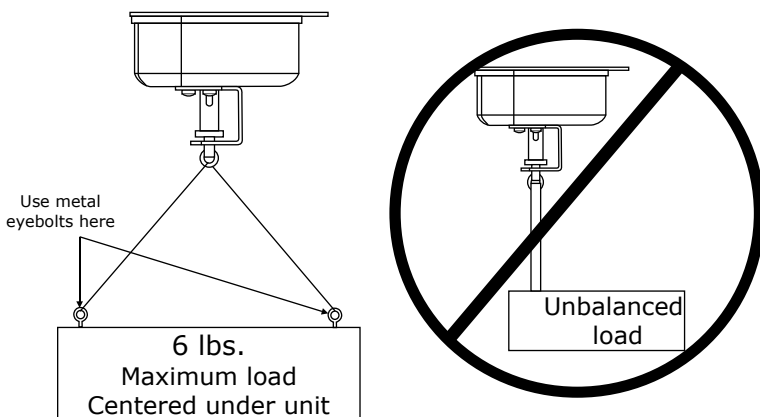
- Display or sign load MUST be balanced.
- Do NOT exceed rated capacity of unit.

Display or Sign mounted on TOP of Rotator:



- Maximum compressive weight = 6 lbs.
- Maximum recommended display size = 1' x 1'
- Rotator must be placed on a flat and level surface.
- Larger diameter turntable top may be attached to rotator turntable.
- Weight MUST be balanced (add a counter weight if needed).
- Do NOT use caster wheels to support turntable.

Display or Sign hanging from Rotator:



- Max hanging weight = 6 lbs
- Eyebolts can be added for rigging.
- Hanging load MUST be balanced and centered under unit.
- Use wire rope to allow hanging sign to self-balance.
- Do NOT allow bare wire rope to rub on hook.
- Wire rope should be protected by an eyebolt to prevent fraying or failure.

Maintenance:




No regular maintenance is required for this unit.

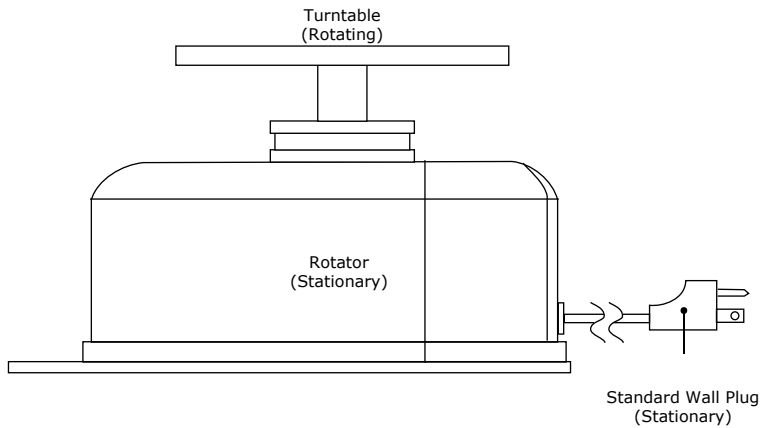


Phone: 800-657-2650
Email: info@dynapacrotating.com
www.dynapacrotating.com

Model M-6 and M-6 Hang Electrical Connections

Questions? Call 800-657-2650 for help

 WARNING	
	Disconnect power before servicing or installing. Do not touch any electrical components while unit is connected to power source.
	Keep hands clear while operating. Read installation and maintenance instructions prior to operation.



- Plug unit into wall to begin rotating.
- Motor power draw = .04 A (4 watts)
- No power switch on unit.



Phone: 800-657-2650
Email: info@dynapacrotating.com
www.dynapacrotating.com