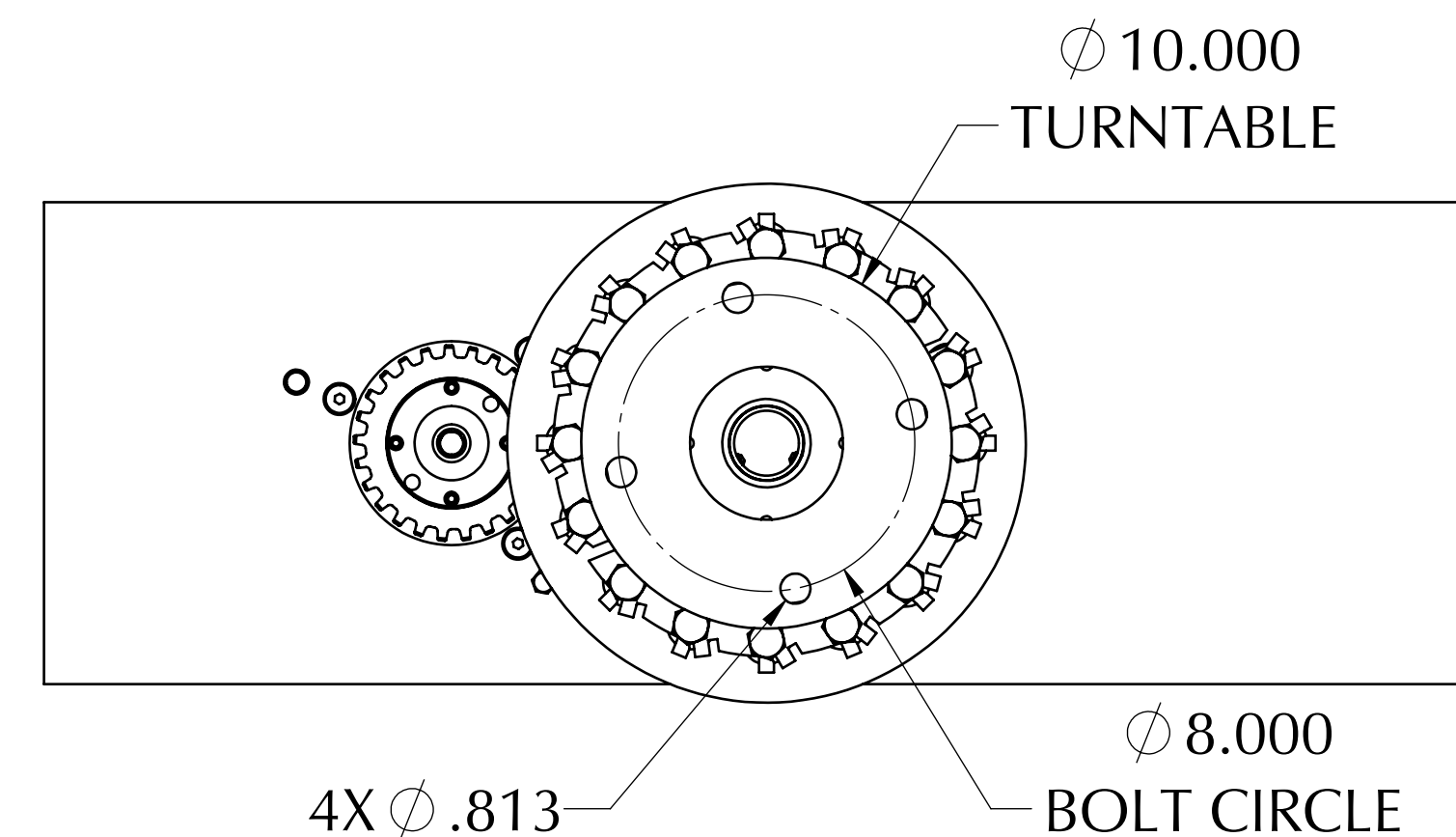
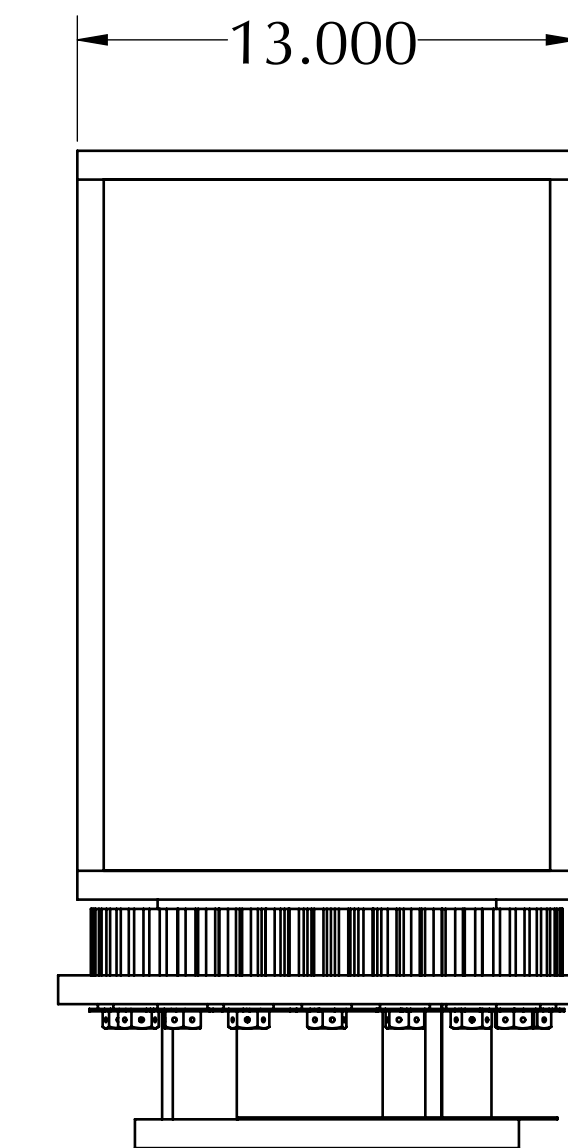
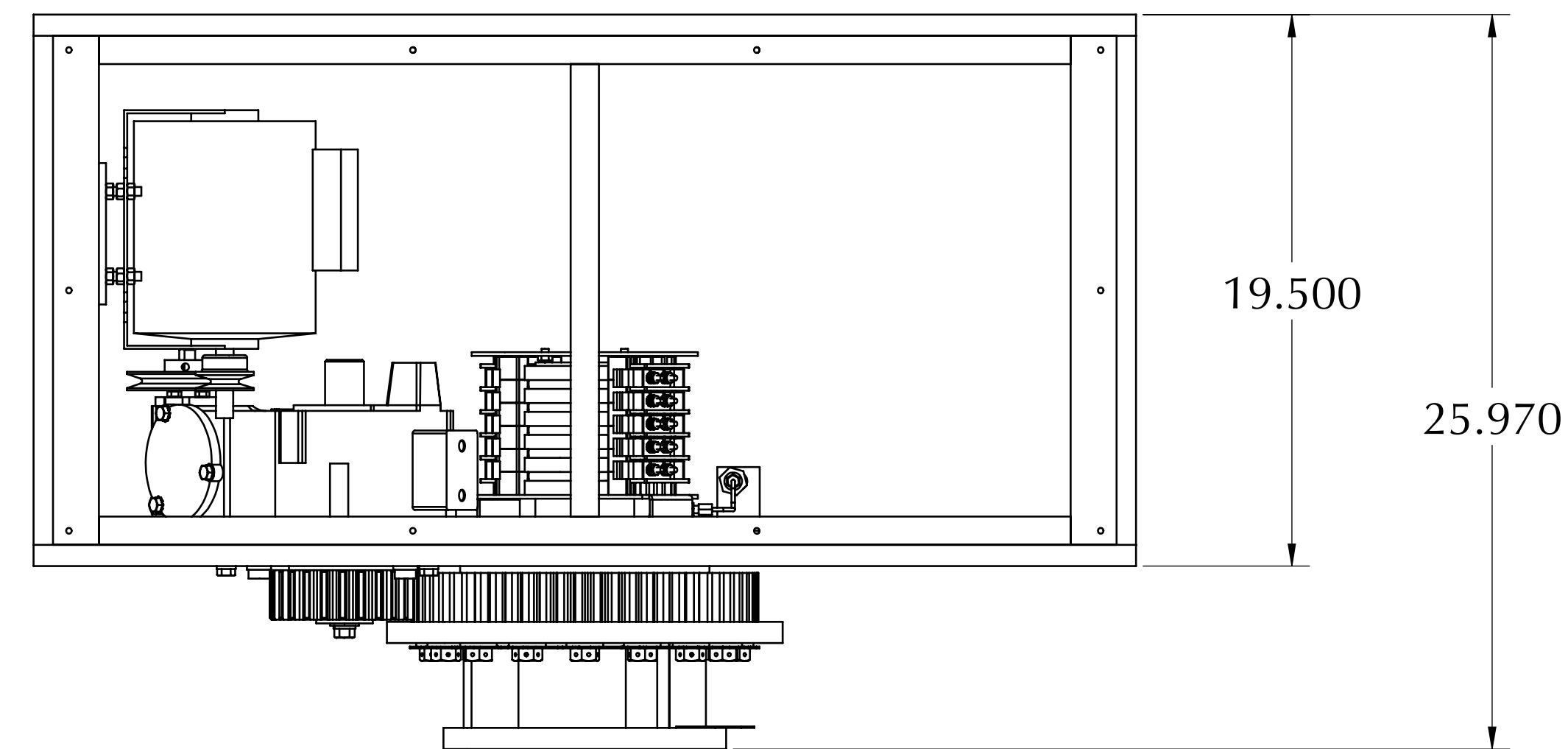
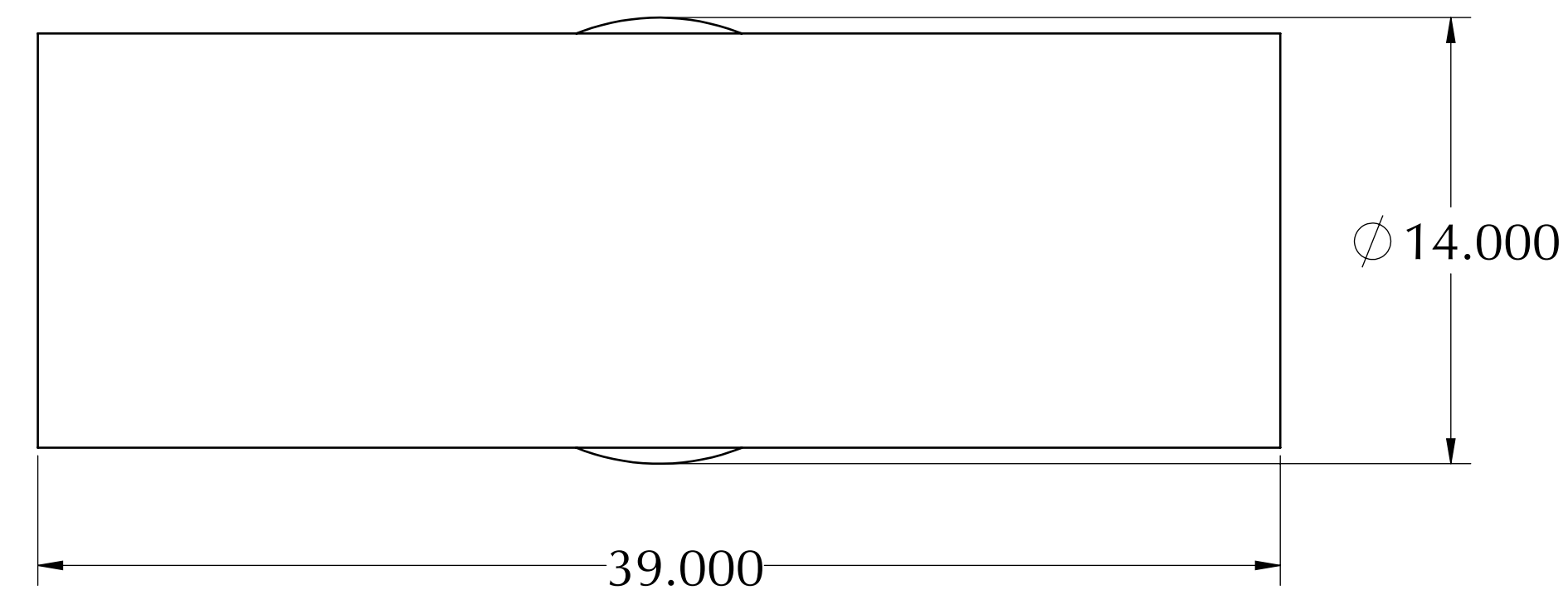
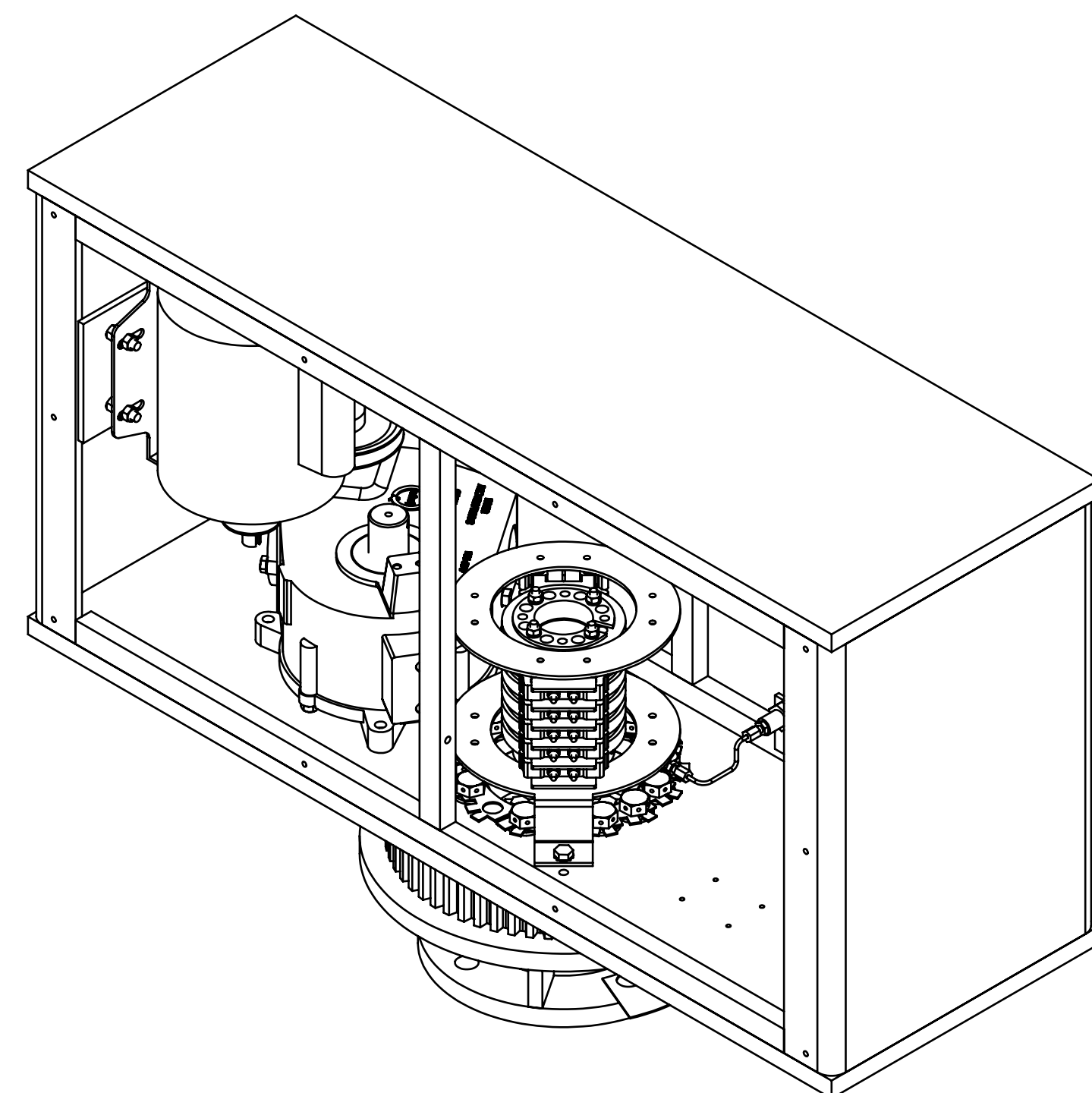




# L-200G

Part Number: 136013 521

Hanging Weight Capacity.....8400 lbs [3810 kg]  
 Compressive Weight Capacity.....8400 lbs [3810 kg]  
 Max Bending Capacity.....9000 ft-lbs [12202 Nm]  
 Max Shear Capacity.....7500 lbf [33362 N]  
 Max Display Size.....Contact Dynapac  
 Standard RPM.....2  
 Torque Output @ 2 RPM.....700 ft-lbs [949 Nm]  
 Motor Draw.....12A (1440 watts)  
 Safety Clutch.....Standard Feature  
 Collector Ring Capacity.....15A at 115 V  
 Shipping Weight.....515 lbs [234 kg]



Dynapac Rotating Company Inc.  
 338 Hansen Ave., Salt Lake City, UT 84115  
 Phone: 801-485-2221 • Fax: 801-485-2254  
 email: [info@dynapacrotating.com](mailto:info@dynapacrotating.com) • [www.dynapacrotating.com](http://www.dynapacrotating.com)