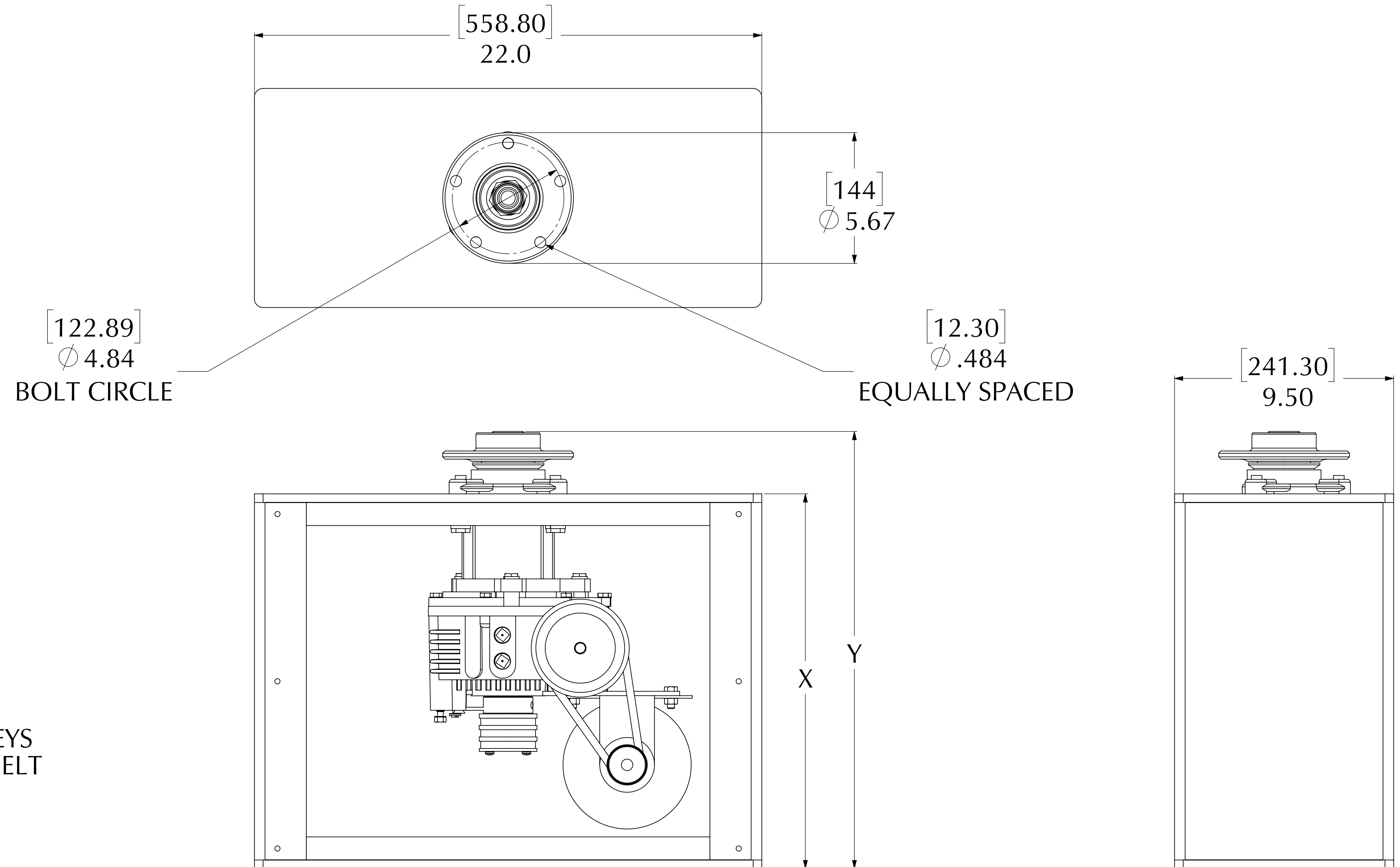
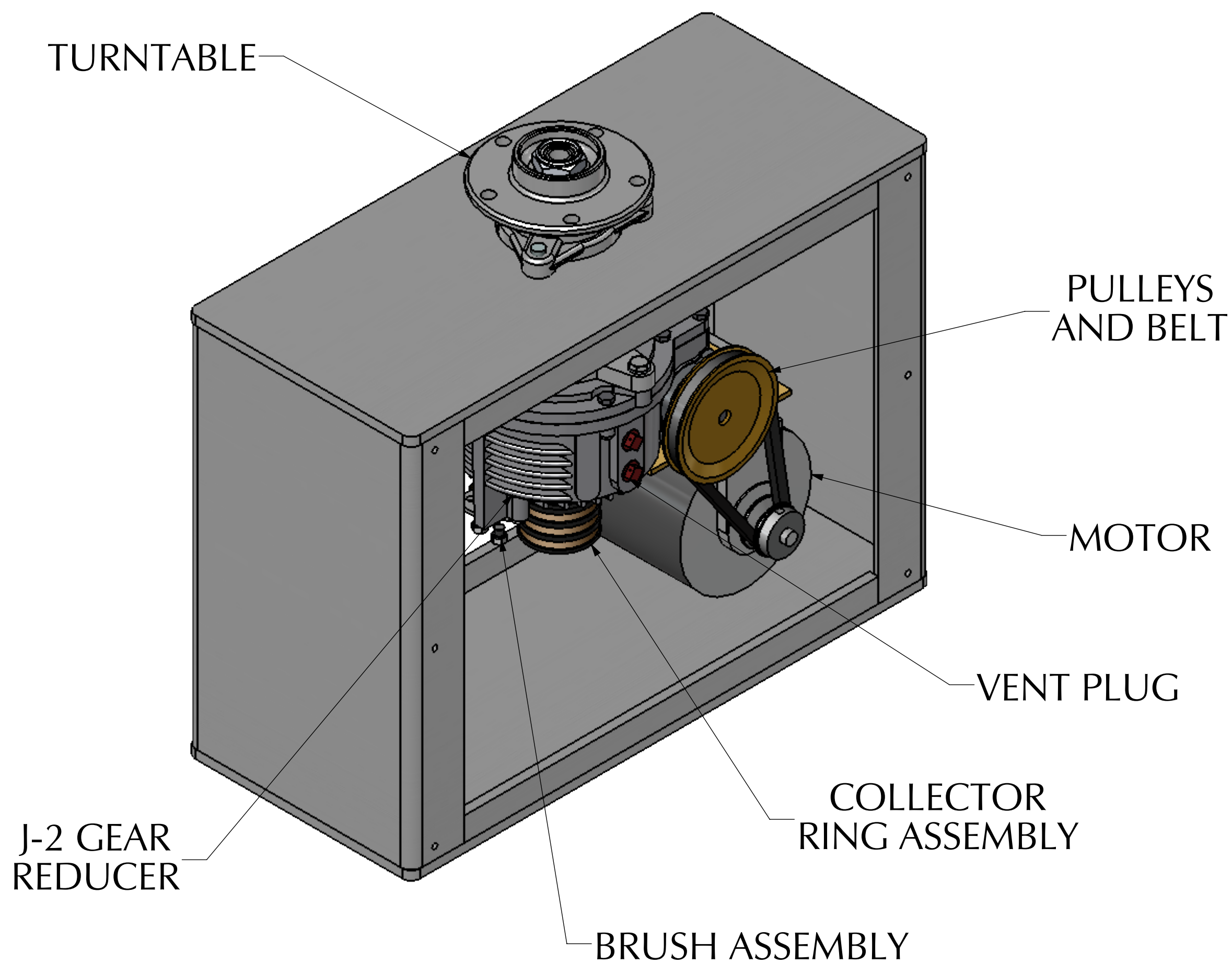




# J-80

Part Number: 133050 361

Hanging Weight Capacity.....2000 lbs [907 kg]  
 Compressive Weight Capacity.....2000 lbs [907 kg]  
 Max Display Size.....Contact Dynapac  
 Standard RPM.....6  
 Torque Output @ 6 RPM.....100 in-lbs [135.6 Nm]  
 Motor Draw.....5.1A (612 watts)  
 Safety Clutch.....Standard Feature  
 Collector Ring Capacity.....15A at 115 V  
 Shipping Weight.....131 lbs [59 kg]



	X	Y
STANDARD FRAME	16.25" [412.75mm]	18.95" [481.46mm]
EXTENDED FRAME	22.25" [565.15mm]	24.95" [633.73mm]

NOTE: MAX COLLECTOR RINGS ON STANDARD UNIT IS 9.

Dynapac Rotating Company Inc.  
 338 Hansen Ave., Salt Lake City, UT 84115  
 Phone: 801-485-2221 • Fax: 801-485-2254  
 email: [info@dynapacrotating.com](mailto:info@dynapacrotating.com) • [www.dynapacrotating.com](http://www.dynapacrotating.com)