

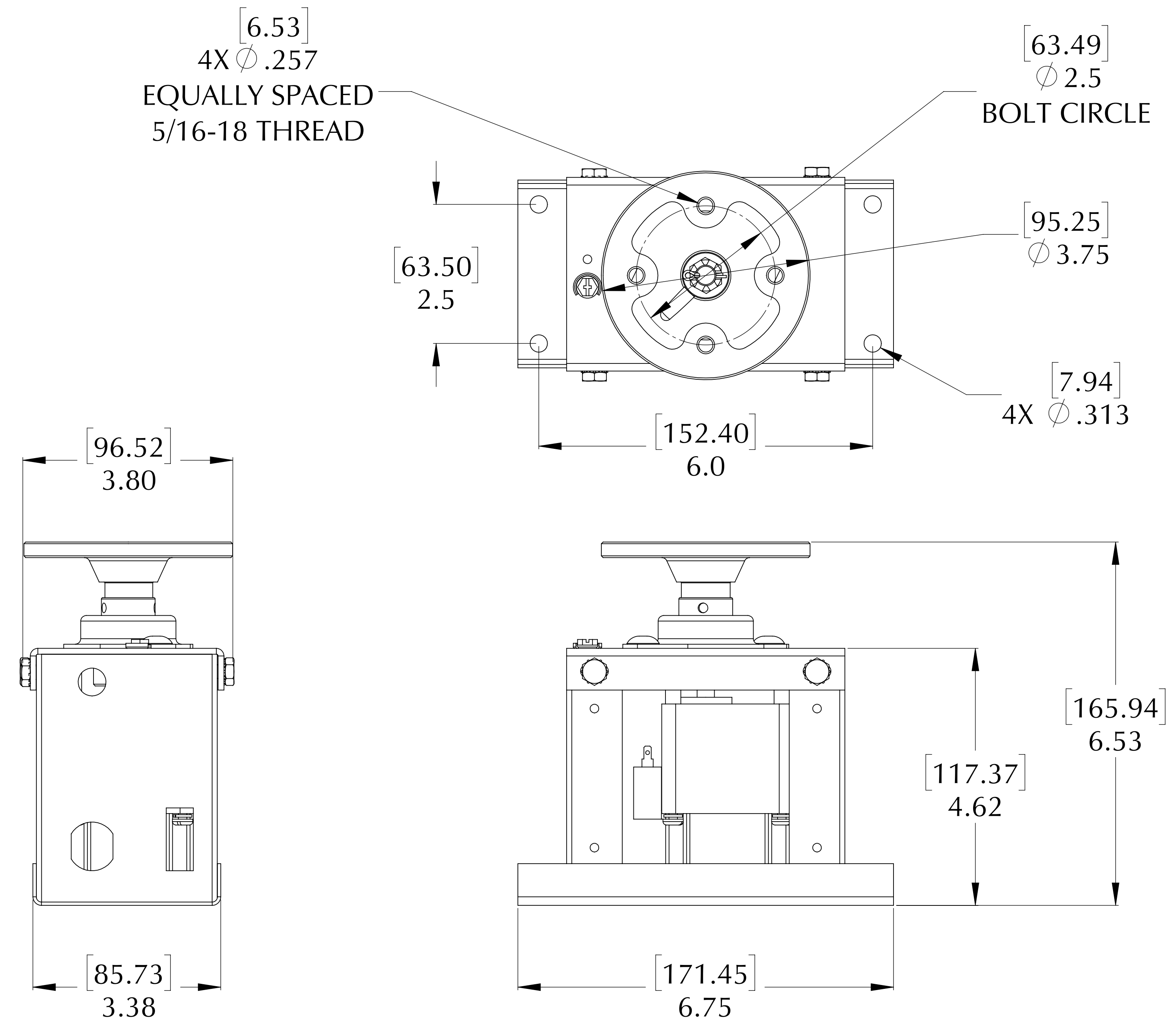
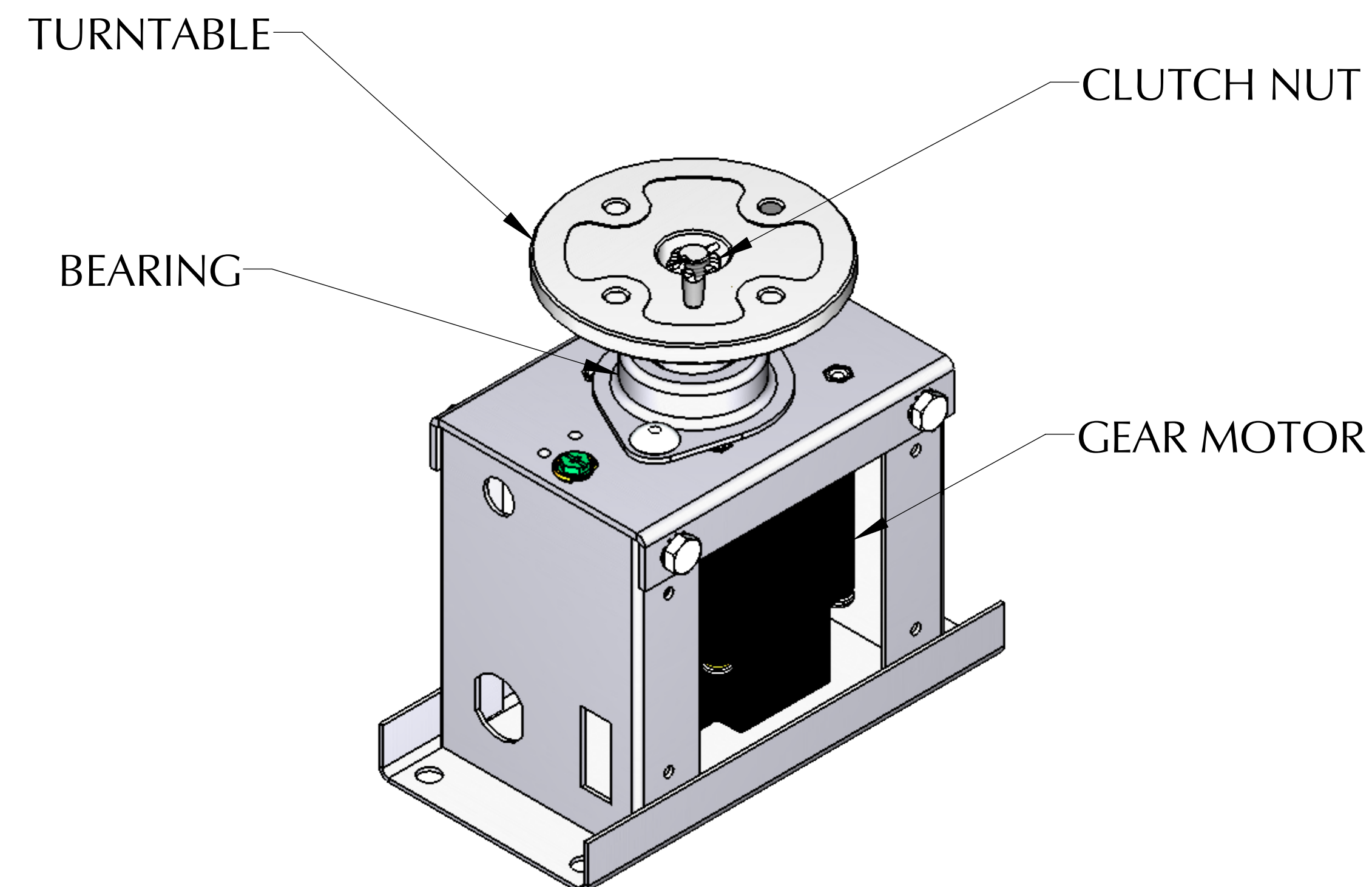


# IG-2 Less Collector Ring

Part Number: 154001 021HD

Dependable performance, durable construction and safety conscious; the IG-2 comes with Dynapac's exclusive torque relief clutch that slips harmlessly if turning motion is obstructed to prevent personal injury and keep the motor from burning out.

- Hanging Weight Capacity.....100 lbs [kg]
- Compressive Weight Capacity.....150 lbs [kg]
- Max Display Size.....3' x 3' [91cm x 91cm]
- Standard RPM.....2
- Torque Output @ 2 RPM.....24 in-lbs [2.7 Nm]
- Motor Draw.....0.1A (12 watts)
- Safety Clutch.....Standard Feature
- Shipping Weight.....6 lbs [2.7 kg]



Dynapac Rotating Company Inc.  
 338 Hansen Ave., Salt Lake City, UT 84115  
 Phone: 801-485-2221 • Fax: 801-485-2254  
 email: [info@dynapacrotating.com](mailto:info@dynapacrotating.com) • [www.dynapacrotating.com](http://www.dynapacrotating.com)