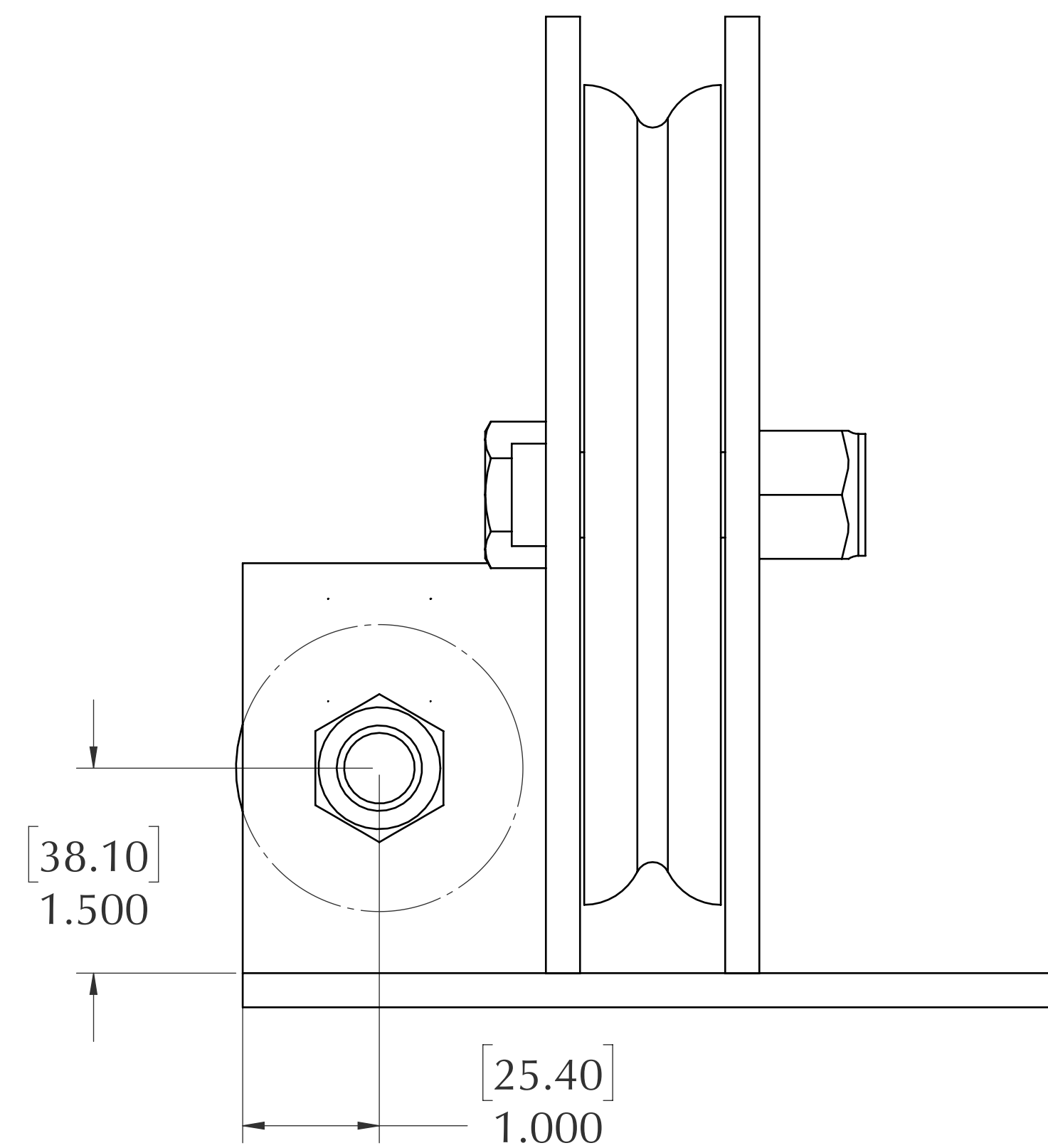
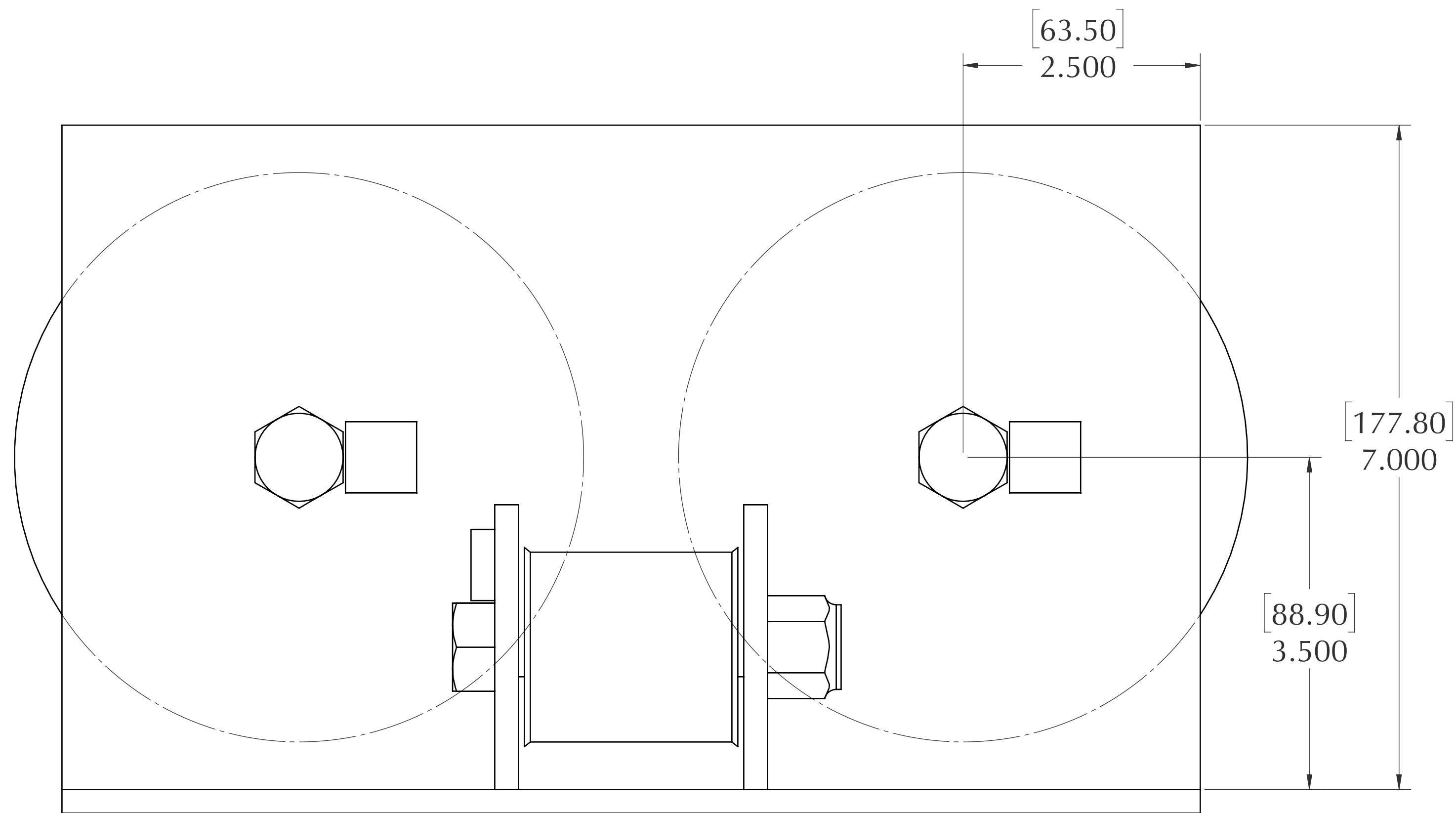
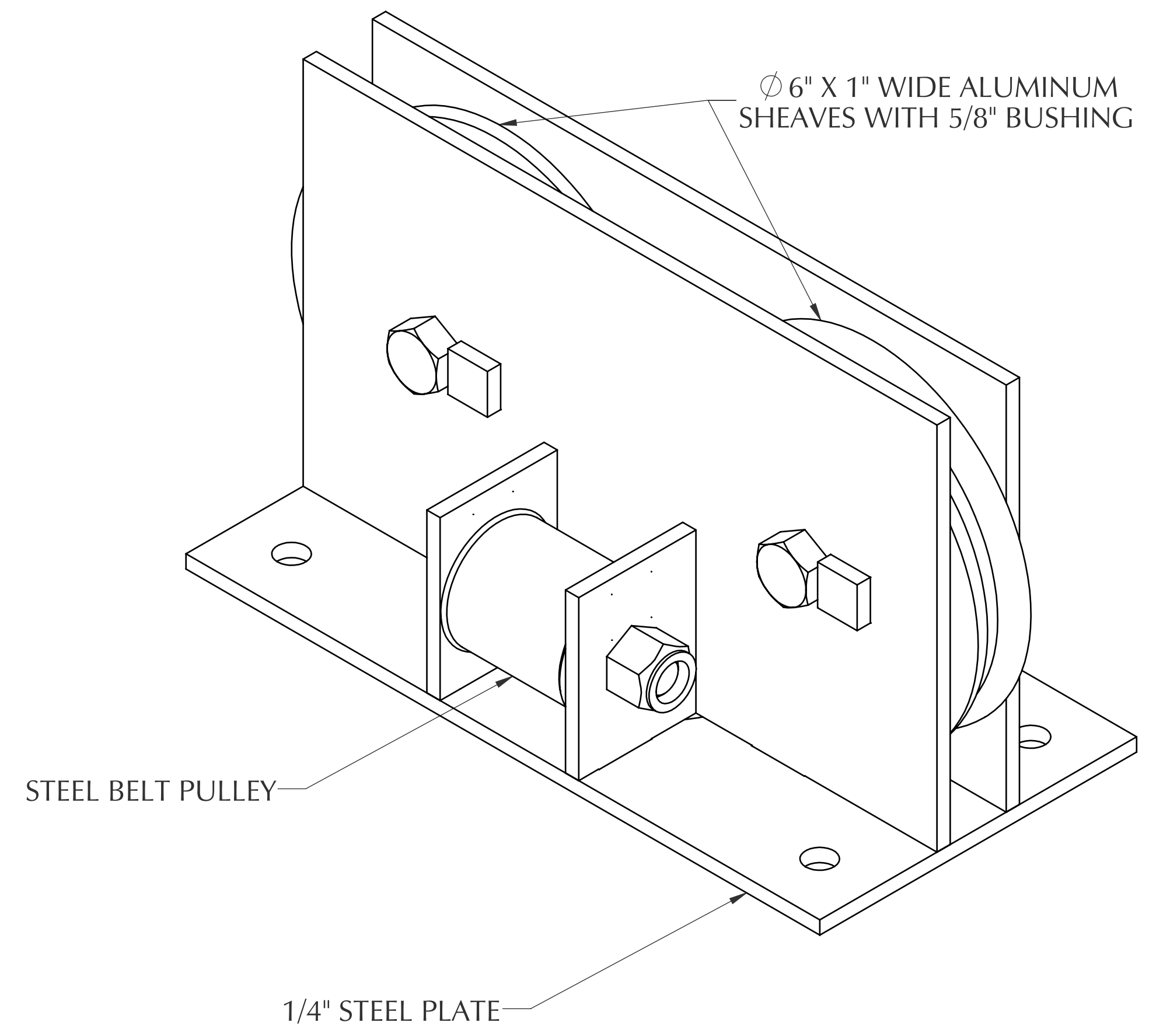
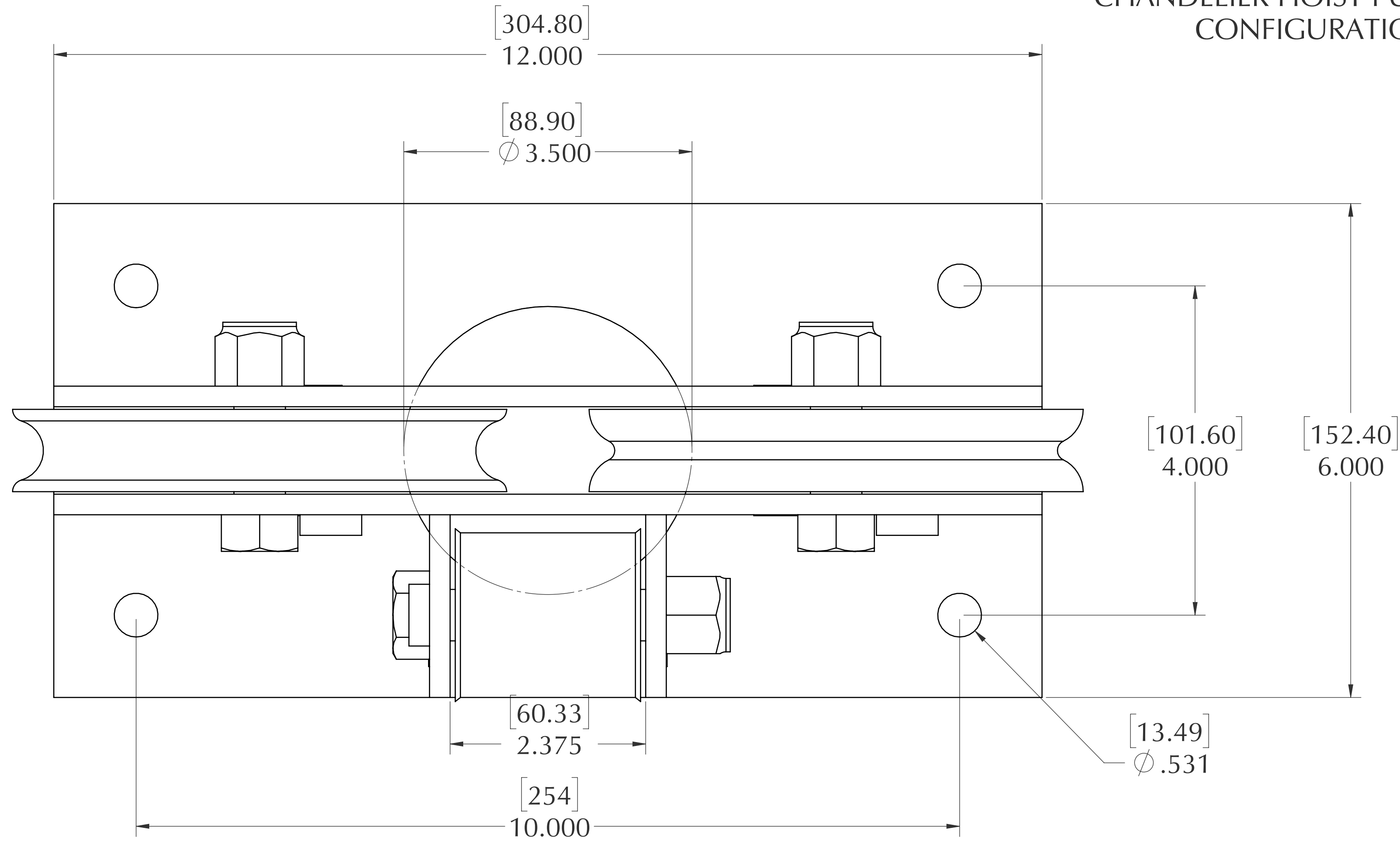


REVISIONS			
REV.	DESCRIPTION	DATE	APPROVED

CHANDELIER HOIST PULLEY SYSTEM
CONFIGURATION "C"



- NOTES:
1. MAXIMUM WEIGHT CAPACITY: 1000 LBS (453 kg).
 2. FIELD INSTALL BY QUALIFIED PERSONNEL.
 3. ALLOWS FOR HOIST, POWER REEL, AND SAFETY ARRESTOR FROM 3 DIFFERENT SIDES.

UNLESS OTHERWISE SPECIFIED DIMENSIONS ARE IN INCHES	APPROVALS	DATE	DYNAPAC ROTATING CO. SALT LAKE CITY, UTAH
	DRAWN ALEX CAMPBELL	5/23/16	
TOLERANCES:	CHECKED		
FRACTIONAL $\pm 1/32$			
ANGULAR $\pm 2^\circ$			
DECIMAL XX $\pm .010$ XXX $\pm .010$			
MATERIAL	APPLICATION	SIZE	DWG. NO.
FINISH	NEXT ASSY	FINAL ASSY	REV
SCALE: 1:1			589001 C
SHEET 1 OF 1			X-05

PROPRIETARY AND CONFIDENTIAL
THE INFORMATION CONTAINED IN THIS DRAWING IS THE SOLE PROPERTY OF DYNAPAC ROTATING CO., INC. ANY REPLICATION IN PART OR AS A WHOLE WITHOUT THE WRITTEN PERMISSION OF DYNAPAC ROTATING CO., INC. IS PROHIBITED.
© COPYRIGHT DYNAPAC ROTATING CO., INC. ALL RIGHTS RESERVED