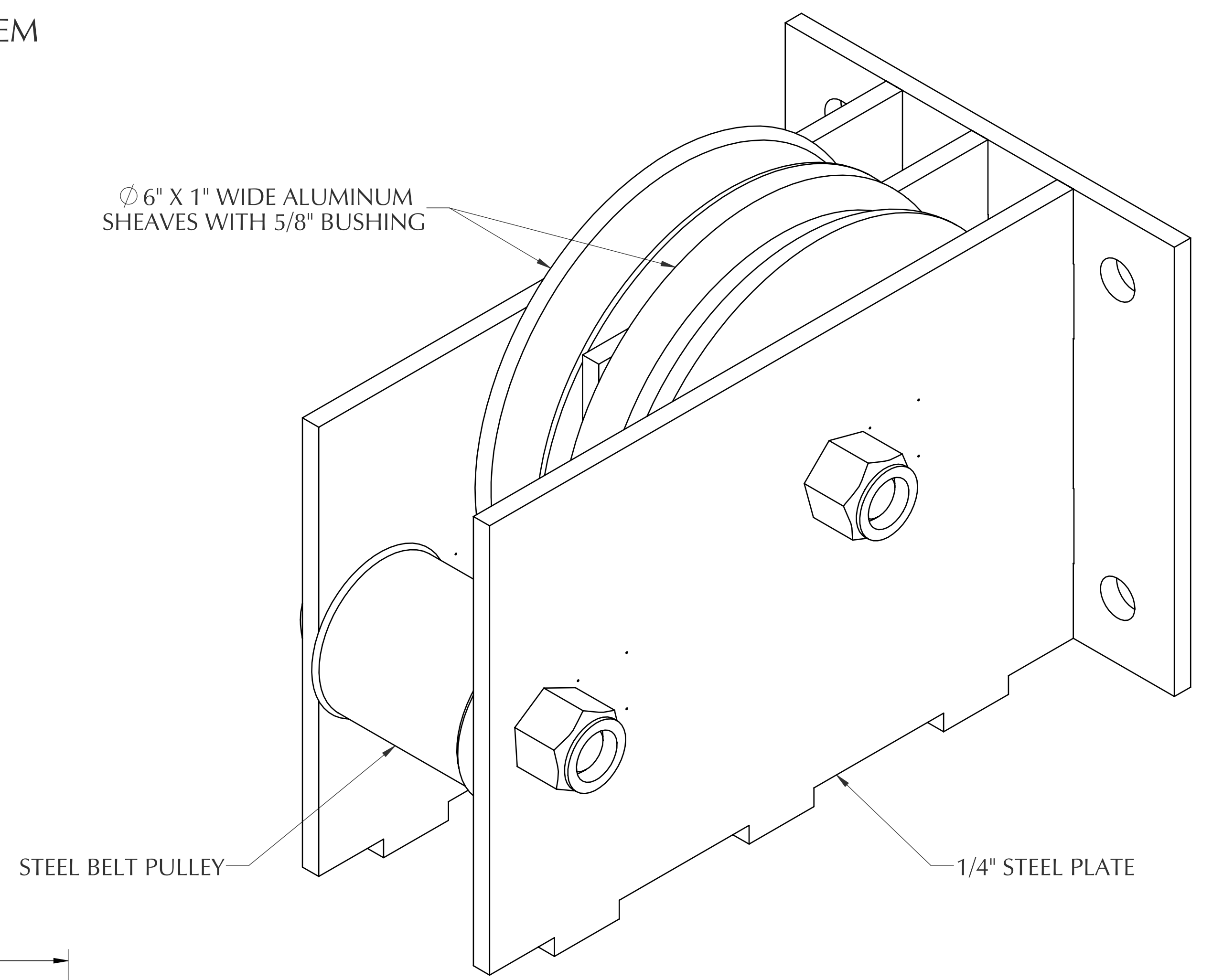
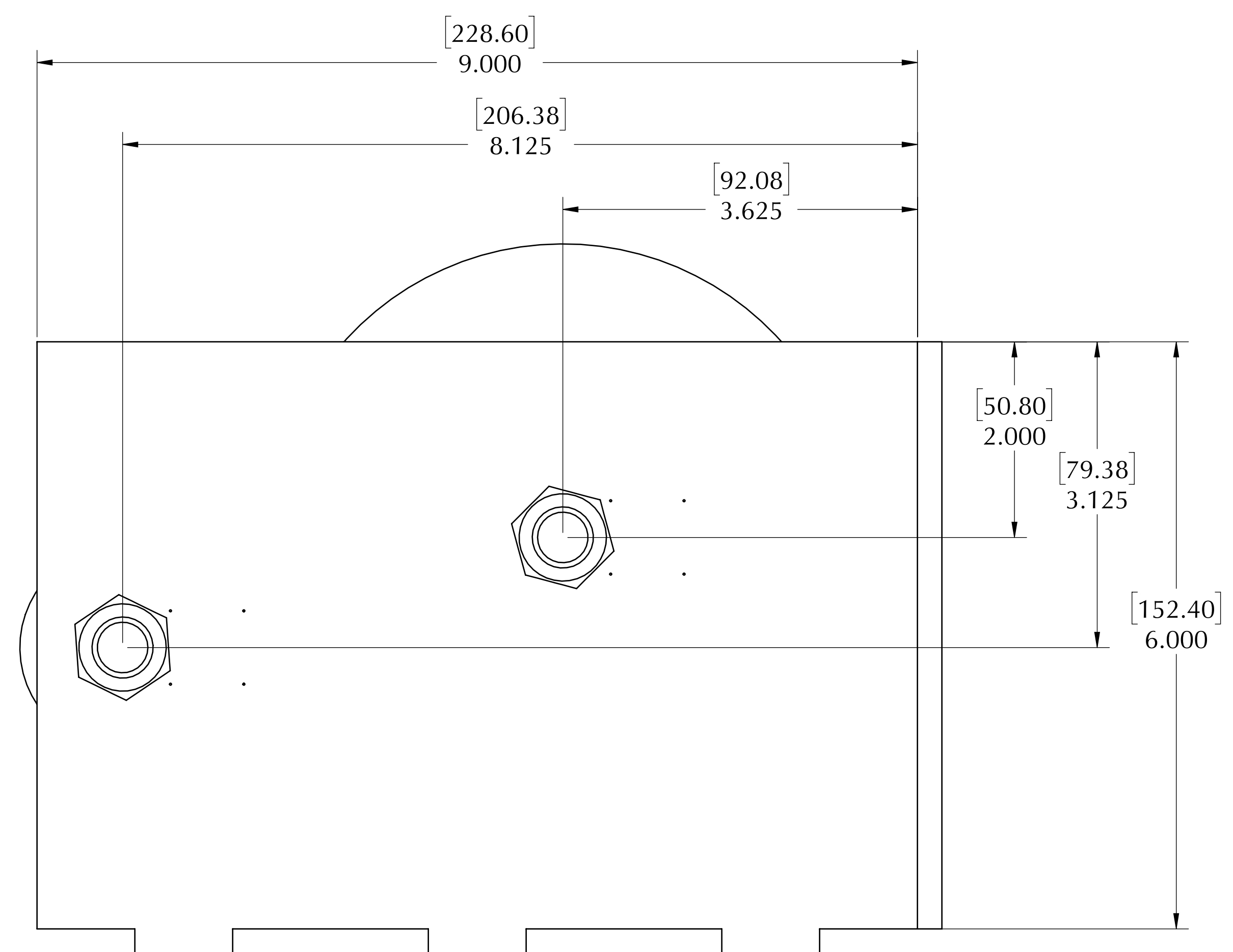
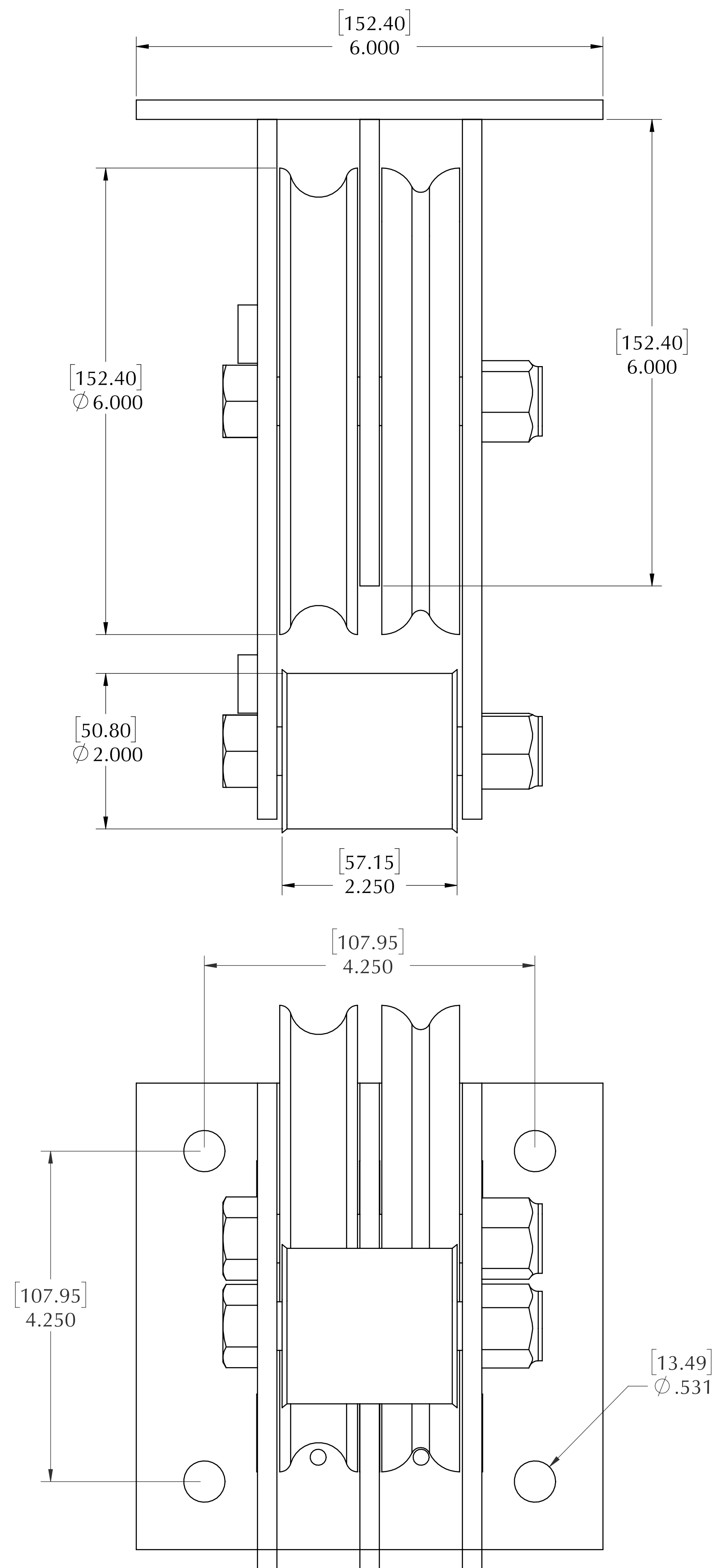



CHANDELIER HOIST PULLEY SYSTEM CONFIGURATION "B"



- NOTES:
1. MAXIMUM WEIGHT CAPACITY: 1000 LBS (453 kg).
 2. FIELD INSTALL BY QUALIFIED PERSONNEL.
 3. ALLOWS FOR HOIST AND POWER REEL ON ONE SIDE, WITH SAFETY ARRESTOR FROM OPPOSITE SIDE.

UNLESS OTHERWISE SPECIFIED DIMENSIONS ARE IN INCHES	APPROVALS	DATE	DYNAPAC ROTATING CO. SALT LAKE CITY, UTAH
	DRAWN ALEX CAMPBELL	5/20/16	
TOLERANCES:	CHECKED		
FRACTIONAL \pm 1/32	ENG. APPR.		
ANGULAR \pm 2°			
DECIMAL .XX \pm .010 .XXX \pm .010			
PROPRIETARY AND CONFIDENTIAL THE INFORMATION CONTAINED IN THIS DRAWING IS THE SOLE PROPERTY OF DYNAPAC ROTATING CO., INC. ANY REPRODUCTION IN PART OR AS A WHOLE WITHOUT THE WRITTEN PERMISSION OF DYNAPAC ROTATING CO., INC. IS PROHIBITED. © COPYRIGHT DYNAPAC ROTATING CO., INC. ALL RIGHTS RESERVED	MATERIAL	APPLICATION	SIZE DWG. NO. REV
	FINISH	NEXT ASSY	D 589001 B X-09
		FINAL ASSY	SCALE: 1:1 SHEET 1 OF 1