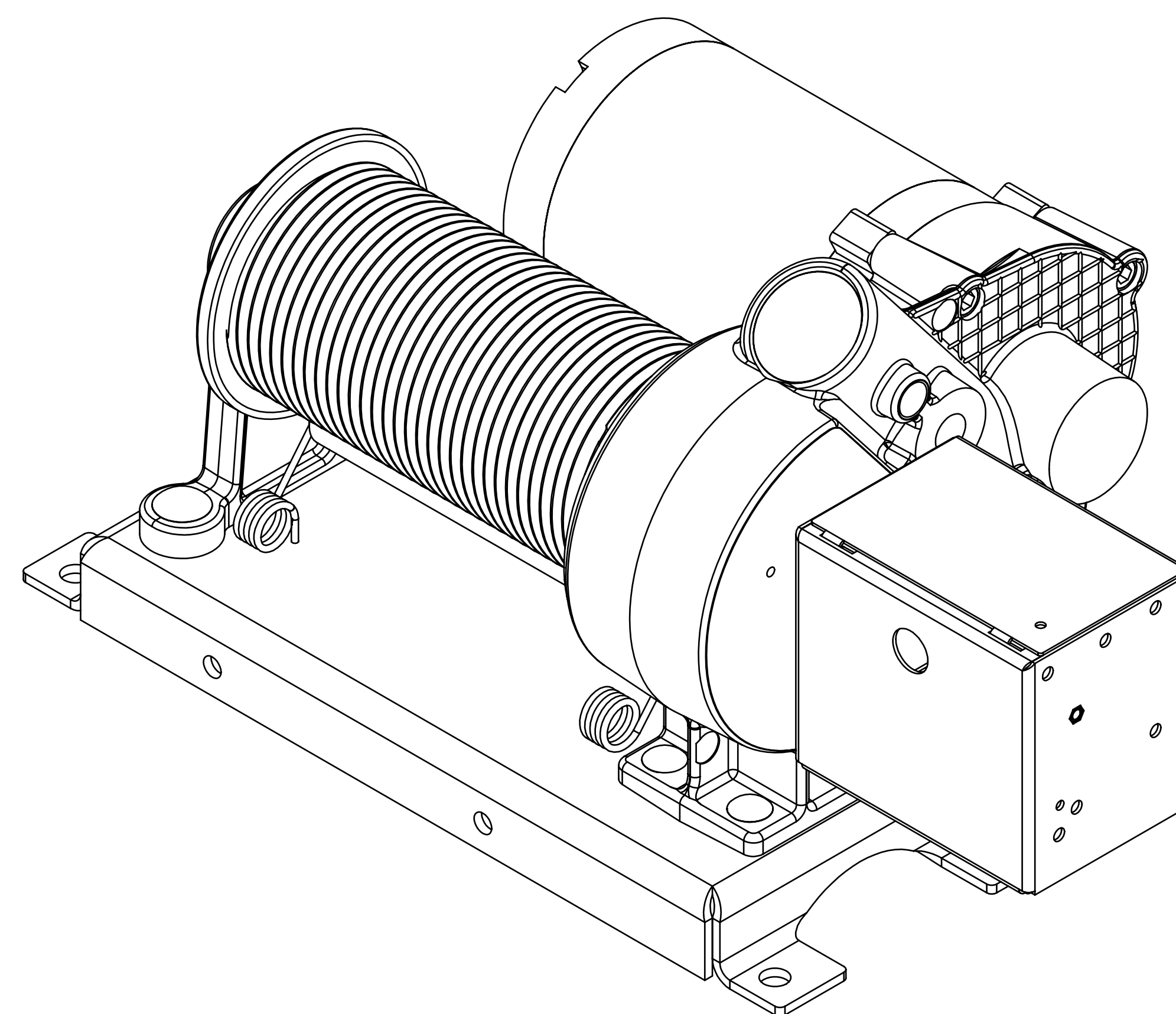
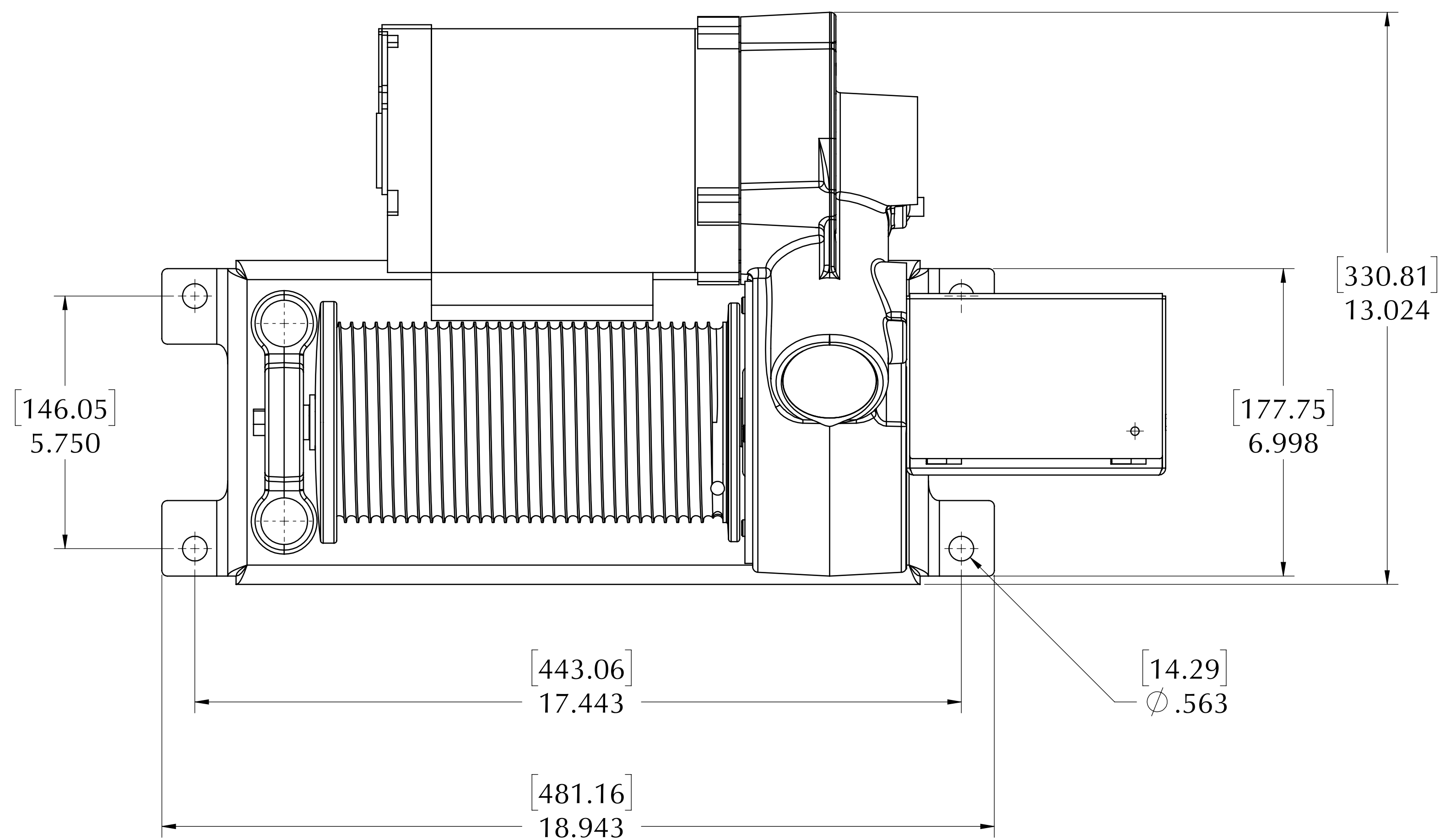
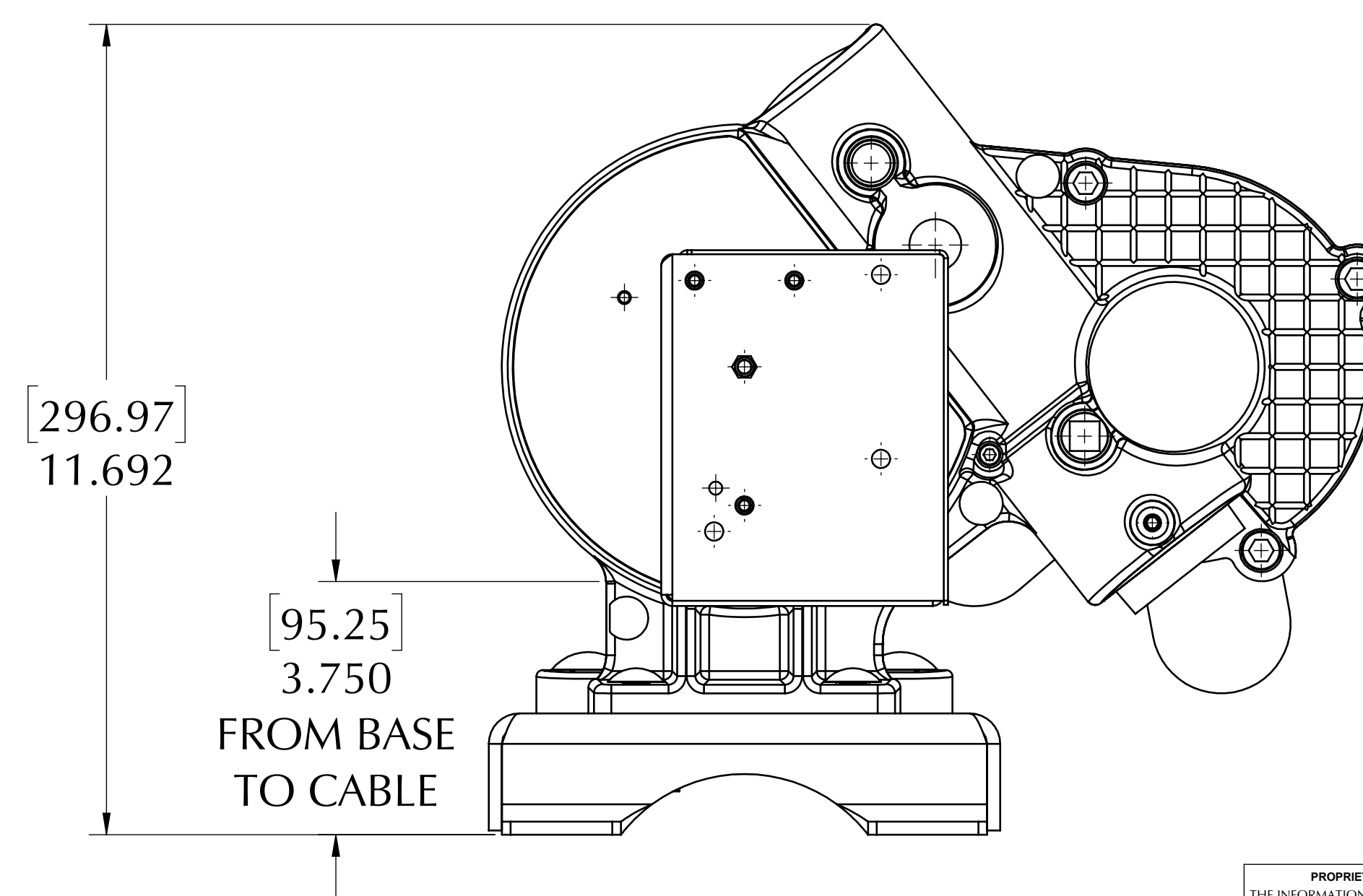
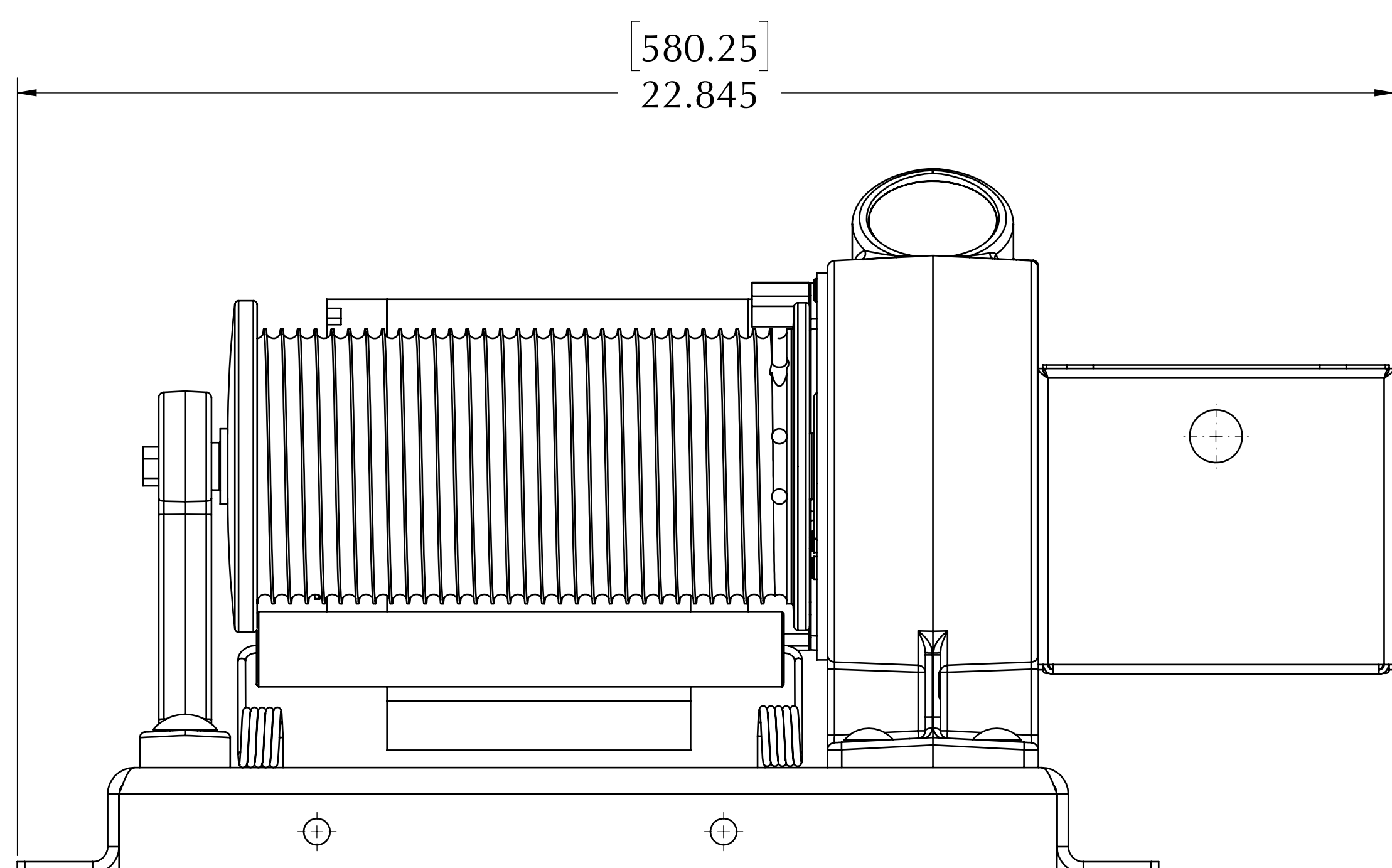


# 1000 LB CHANDELIER WINCH



- NOTES:
- TRAVEL DISTANCE: 32' (9.7 m) STANDARD, 55' (16.7 m) EXTENDED
  - ELECTRICAL REQUIREMENTS: 120 VAC, 12A, 60 HZ OR OPTIONAL 208-240 VAC, 6A, 50 HZ



PROPRIETARY AND CONFIDENTIAL  
 THE INFORMATION CONTAINED IN THIS DRAWING IS THE SOLE PROPERTY OF DYNAPAC ROTATING CO., INC. ANY REPRODUCTION IN PART OR AS A WHOLE WITHOUT THE WRITTEN PERMISSION OF DYNAPAC ROTATING CO., INC. IS PROHIBITED.  
 © COPYRIGHT DYNAPAC ROTATING CO., INC. ALL RIGHTS RESERVED

UNLESS OTHERWISE SPECIFIED DIMENSIONS ARE IN INCHES		APPROVALS	DATE	DYNAPAC ROTATING CO. SALT LAKE CITY, UTAH
TOLERANCES:		DRAWN ALEX CAMPBELL	1/30/17	
FRACTIONAL	± 1/32	CHECKED		
ANGULAR	± 2°	ENG APPR.		
DECIMAL	.XX ± 0.05 .XXX ± 0.010	FINAL ASSY		
MATERIAL		APPLICATION	SIZE	DWG. NO.
FINISH		NEXT ASSY	D	189010
			SCALE: 1:2	REV X-11
			SHEET 1 OF 1	