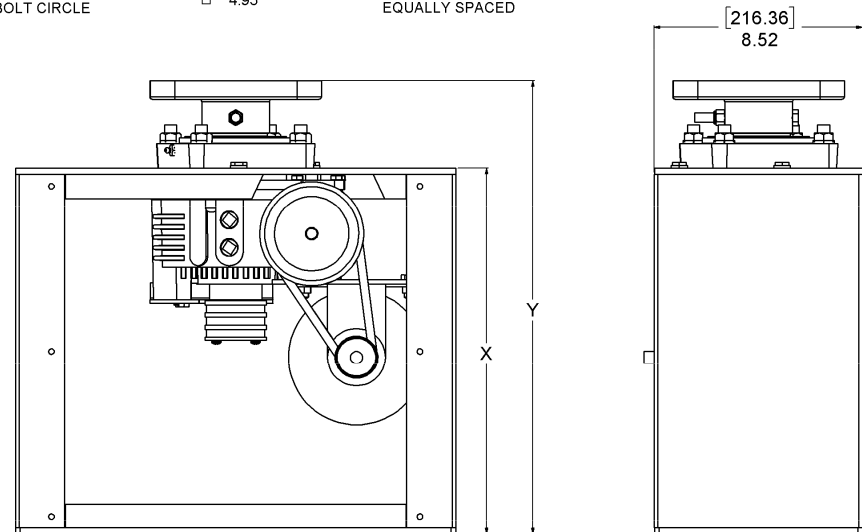
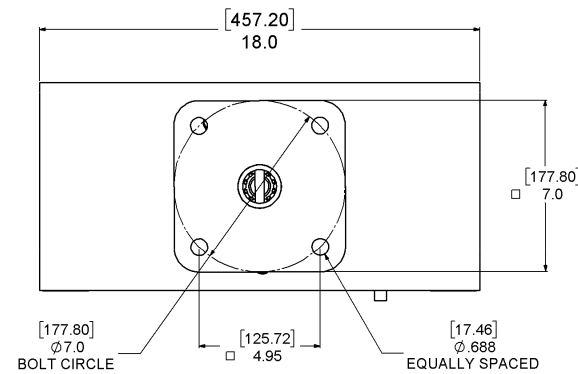
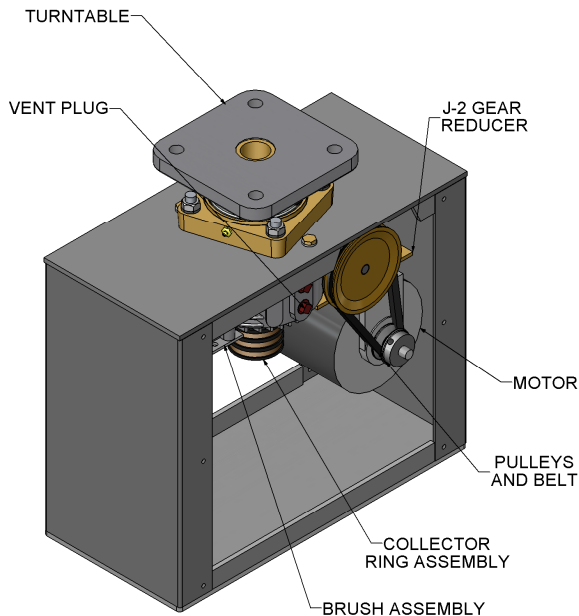




J-36

Part Number 133007 361

- Hanging Weight Capacity.....720 lbs [326.6 Kg]
- Compressive Weight Capacity....720 lbs [326.6 Kg]
- Max. Display Size..... Contact Dynapac
- Standard RPM (Others available.....4, 5, 6
- Torque Output @ 2 RPM.....100 ft-lb [135.6 Nm]
- Motor Draw.....5.1 A (12 watts)
- Safety Clutch.....Standard Feature
- Collector Ring Capacity.....15 A
- Shipping Weight.....99 lbs [45 Kg]



	X	Y
STANDARD FRAME	15" [381mm]	18.56" [471.3mm]
EXTENDED FRAME	21" [533.4mm]	24.56" [623.8mm]

NOTE: MAX COLLECTOR RINGS ON STANDARD UNIT IS 15

Dynapac Rotating Company, Inc.
 338 Hansen Ave., Salt Lake City, UT 84115
 Phone: 801-485-2221 • Fax: 801-485-2254
 email: info@dynapacrotating.com • www.dynapacrotating.com