

Model IG-5

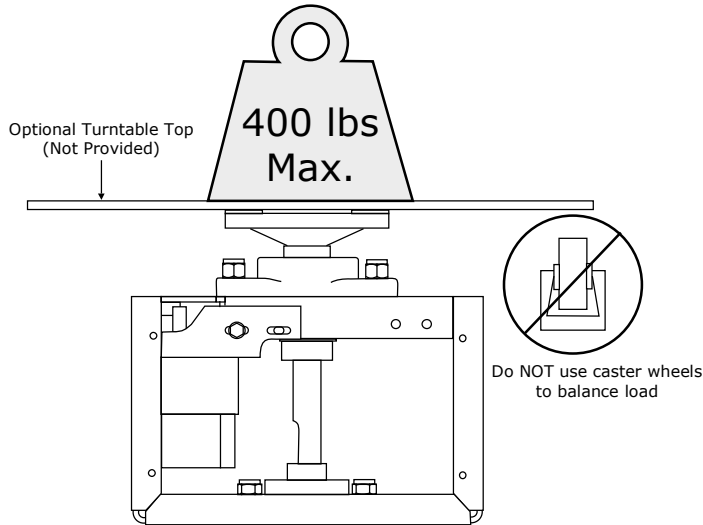
Installation and Maintenance Instructions

Questions? Call 800-657-2650 for help

For ALL installations:

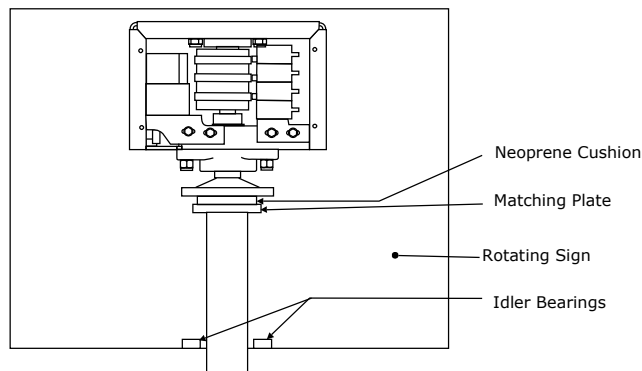
- Display or sign load MUST be balanced.
- Do NOT exceed rated capacity of unit.

Display or Sign mounted on TOP of Rotator:



- Maximum compressive weight = 400 lbs.
- Maximum hanging weight = 300 lbs.
- Maximum recommended display size = 5' x 5'
- Rotator unit may be mounted facing down or up.
- Rotator must be flat and level.
- Larger diameter turntable top may be attached to rotator turntable.
- Weight MUST be balanced (add a counter weight if needed).

Rotator inside display or sign:



- Maximum compressive weight = 400 lbs.
- Maximum hanging weight = 300 lbs.
- Maximum recommended display size = 5' x 5'
- Mount rotator inside sign, above center line.
- Sign must be welded or bolted to rotator frame.
- Mount idler bearings to stabilize sign.

Maintenance:

No regular maintenance is required for this unit.





Phone: 800-657-2650
Email: info@dynapacrotating.com
www.dynapacrotating.com

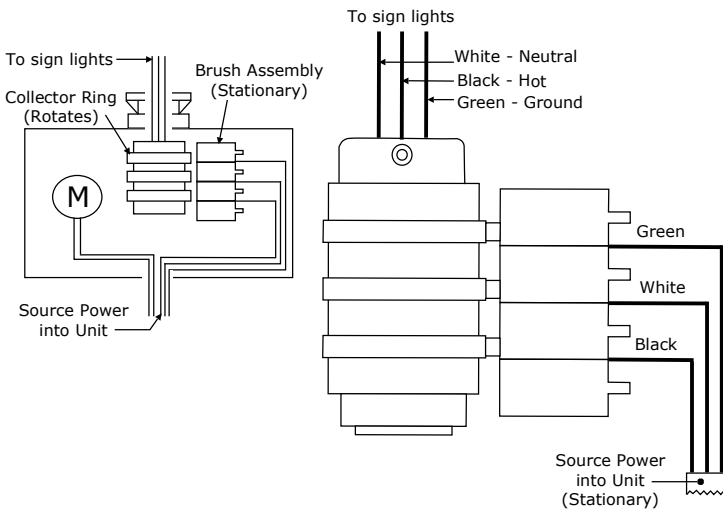
Model IG-5

Electrical Connections

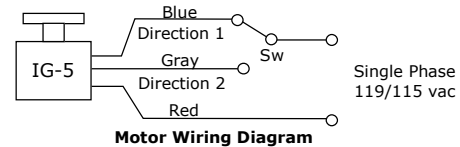
Questions? Call 800-657-2650 for help

⚠ WARNING	
	Disconnect power before servicing or installing. Do not touch any electrical components while unit is connected to power source.
	Keep hands clear while operating. Read installation and maintenance instructions prior to operation.

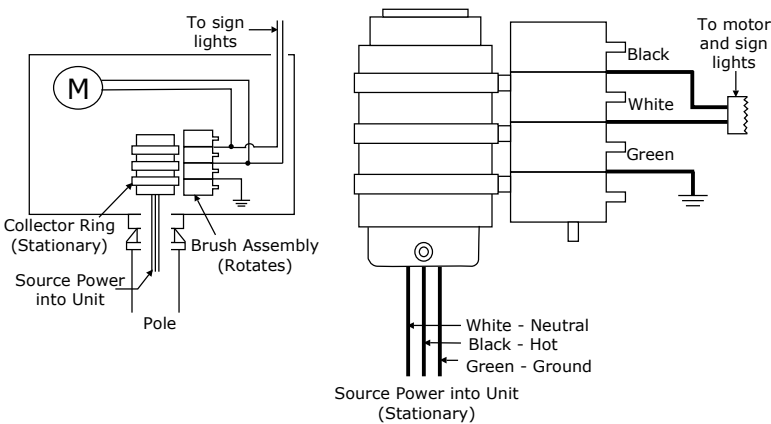
Unit with rotating wires, turntable facing up:



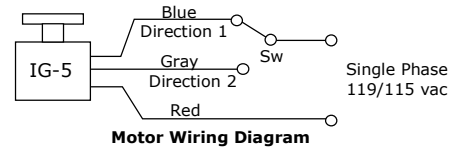
- **WARNING!** Electrical components are live when unit is plugged in.
- Do NOT exceed rated electrical capacity of unit. (See label on unit)
- Stationary source power wiring attaches to brush assembly.
- Motor does not turn, and can be attached directly to source power wiring.
- Rotating sign wiring attaches to collector ring.
- Motor power draw = 0.1 A (12 watts)



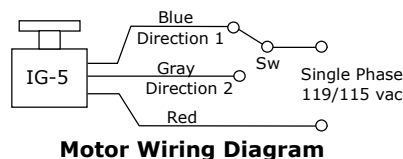
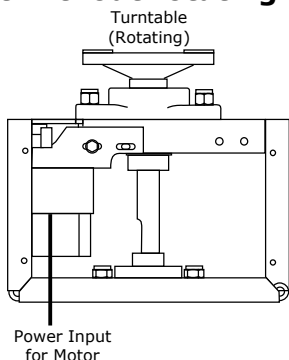
Unit with rotating wires, turntable facing down:



- **WARNING!** Electrical components are live when unit is plugged in.
- Do NOT exceed rated electrical capacity of unit. (See label on unit)
- Stationary source power wiring attaches to the collector ring.
- Rotating sign wiring attaches to the brush assembly.
- Motor power draw = 0.1 A (12 watts)



Unit without rotating wires:



- No rotating electrical wires are available.
- Connect motor wires to power.
- Motor power draw = 0.2 A (6 watts)

