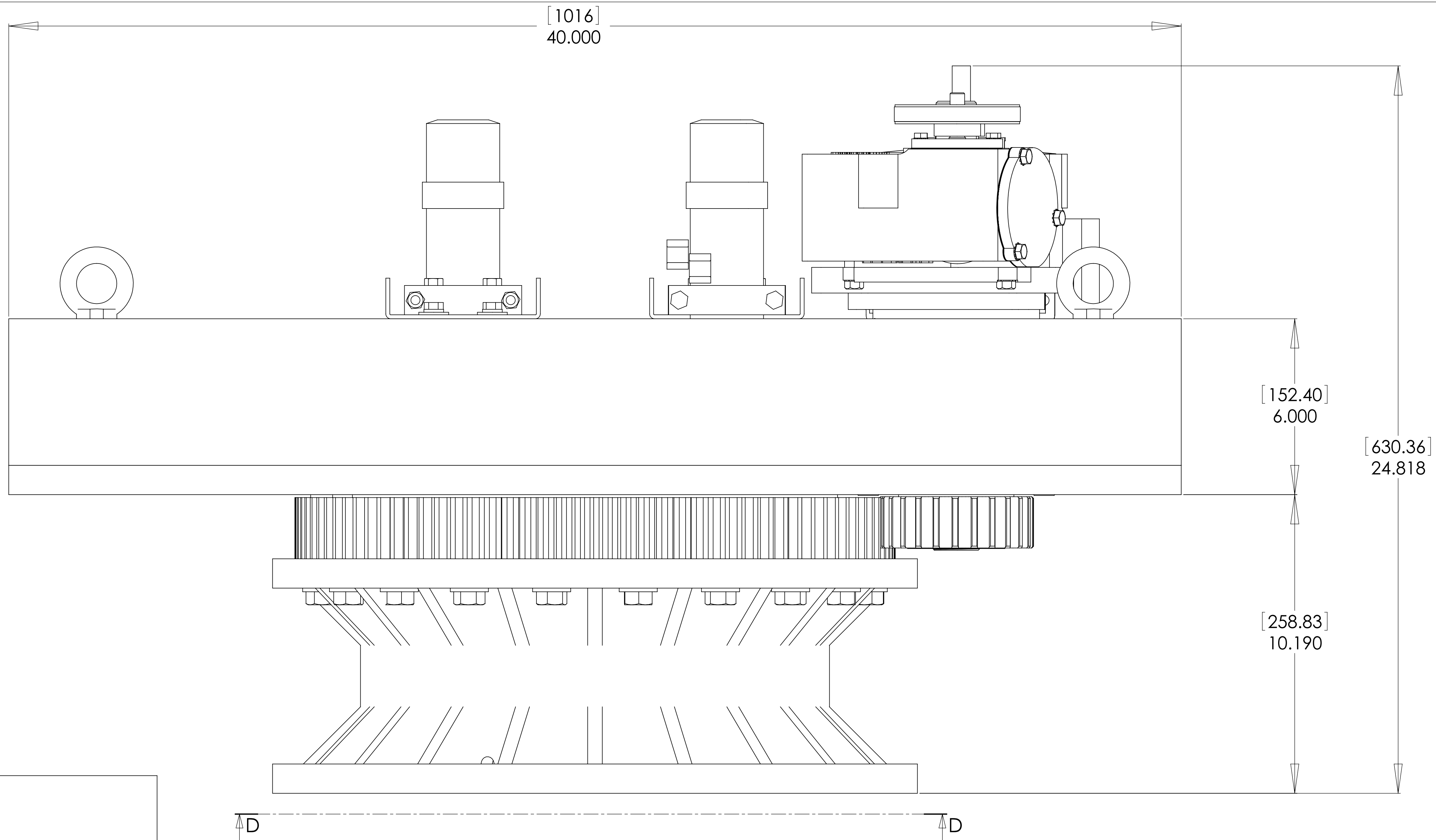
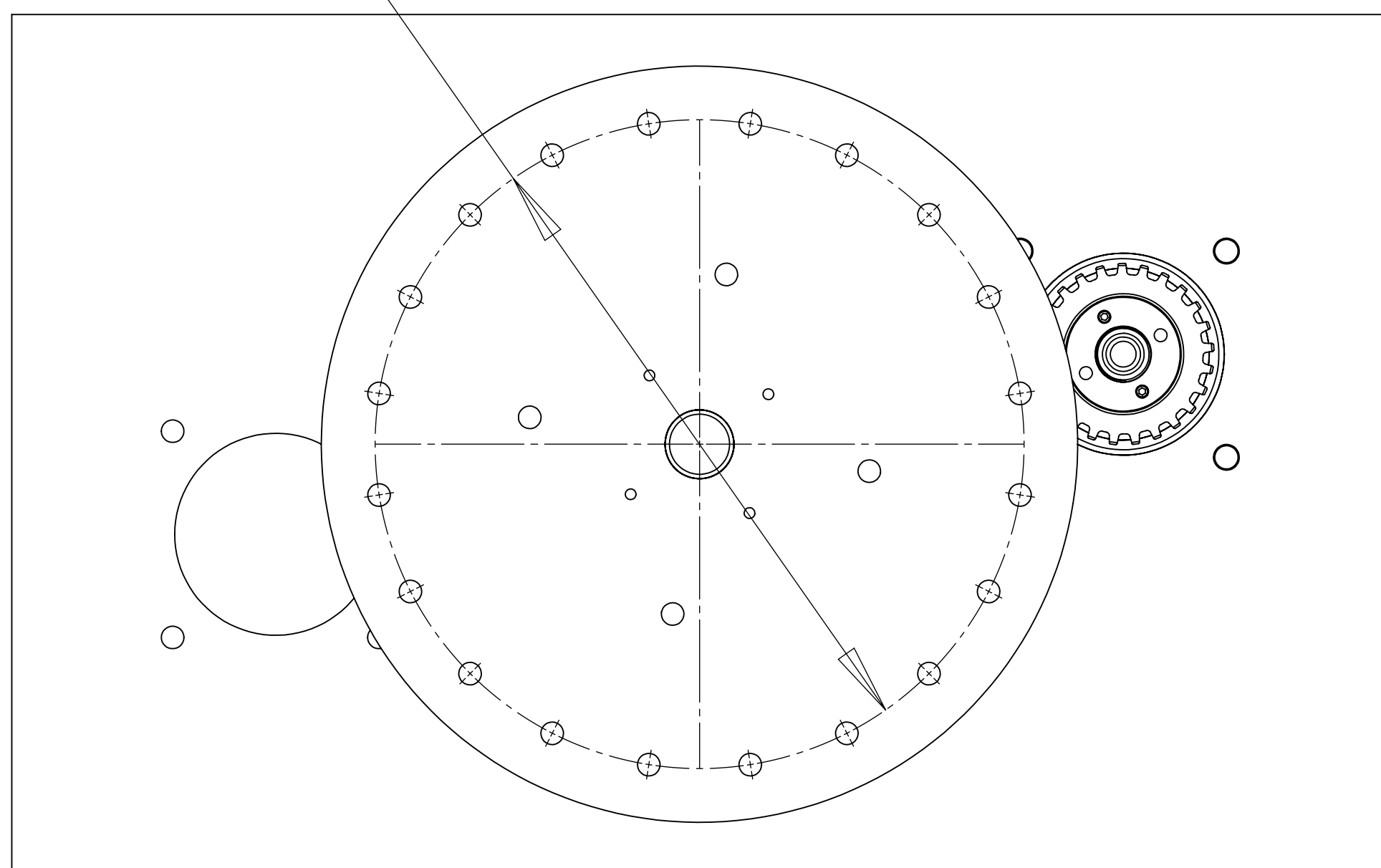


NO. REQ'D.	DESCRIPTION OR NAME	DWG. SIZE	PART NO.	FINO NO.
BILL OF MATERIAL				
Dynamac Rotating Company, Inc. Salt Lake City, Utah				
SCALE:	NEXT ASSY. NO.	NO. REQ'D PER NEXT ASSY.		SHT. OF
TOLERANCES	FINAL ASSY. NO.	NO. REQ'D PER FINAL ASSY.		REV.
DEC. ±	DWG. BY	FILE DWG. SIZE	DRAWING NO.	
FRACT. ±	CHK. BY			
ANGLES ±	APPR. BY			

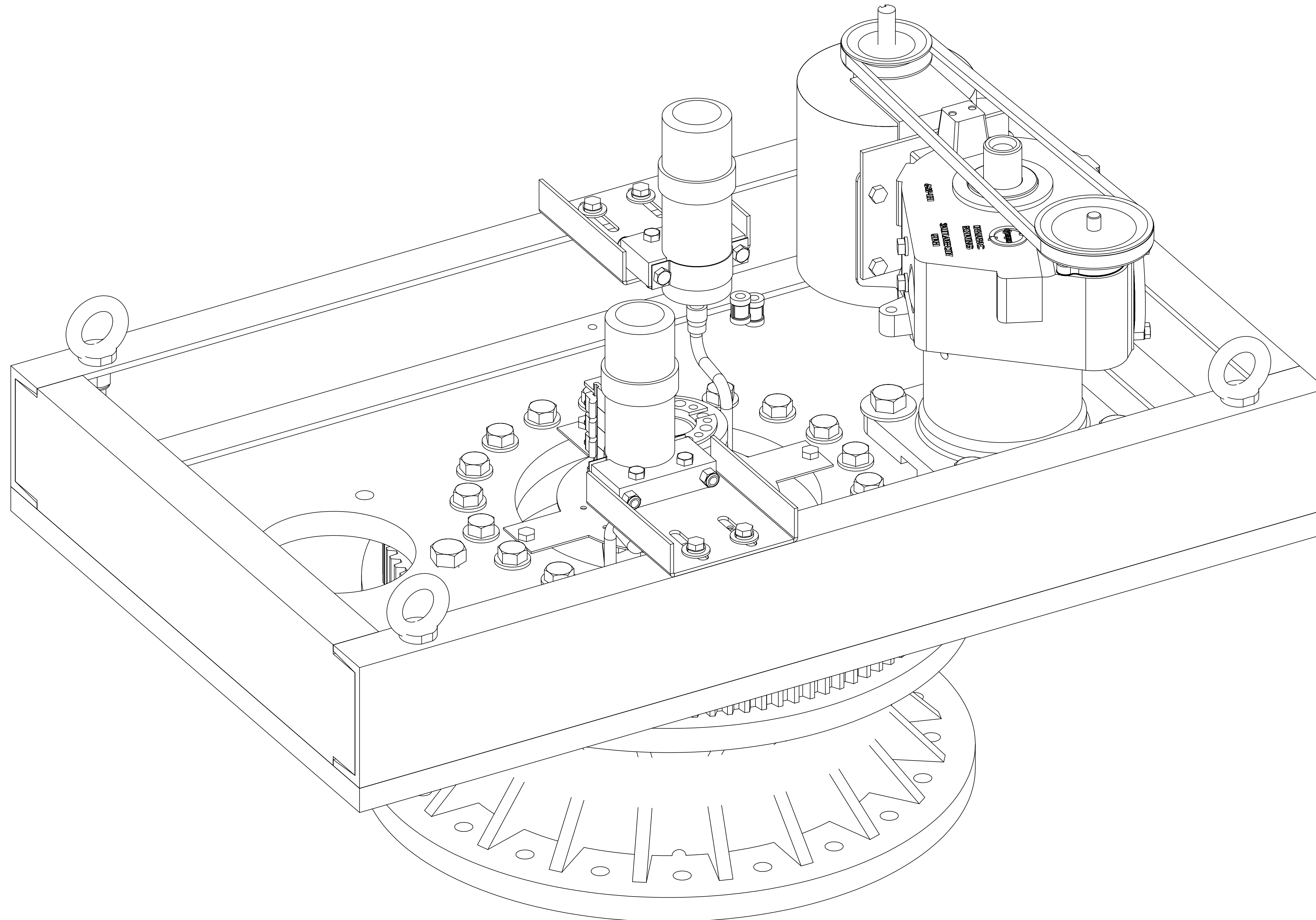


[479.43]
 \varnothing 18.875




SECTION D-D
 SCALE 1 : 4

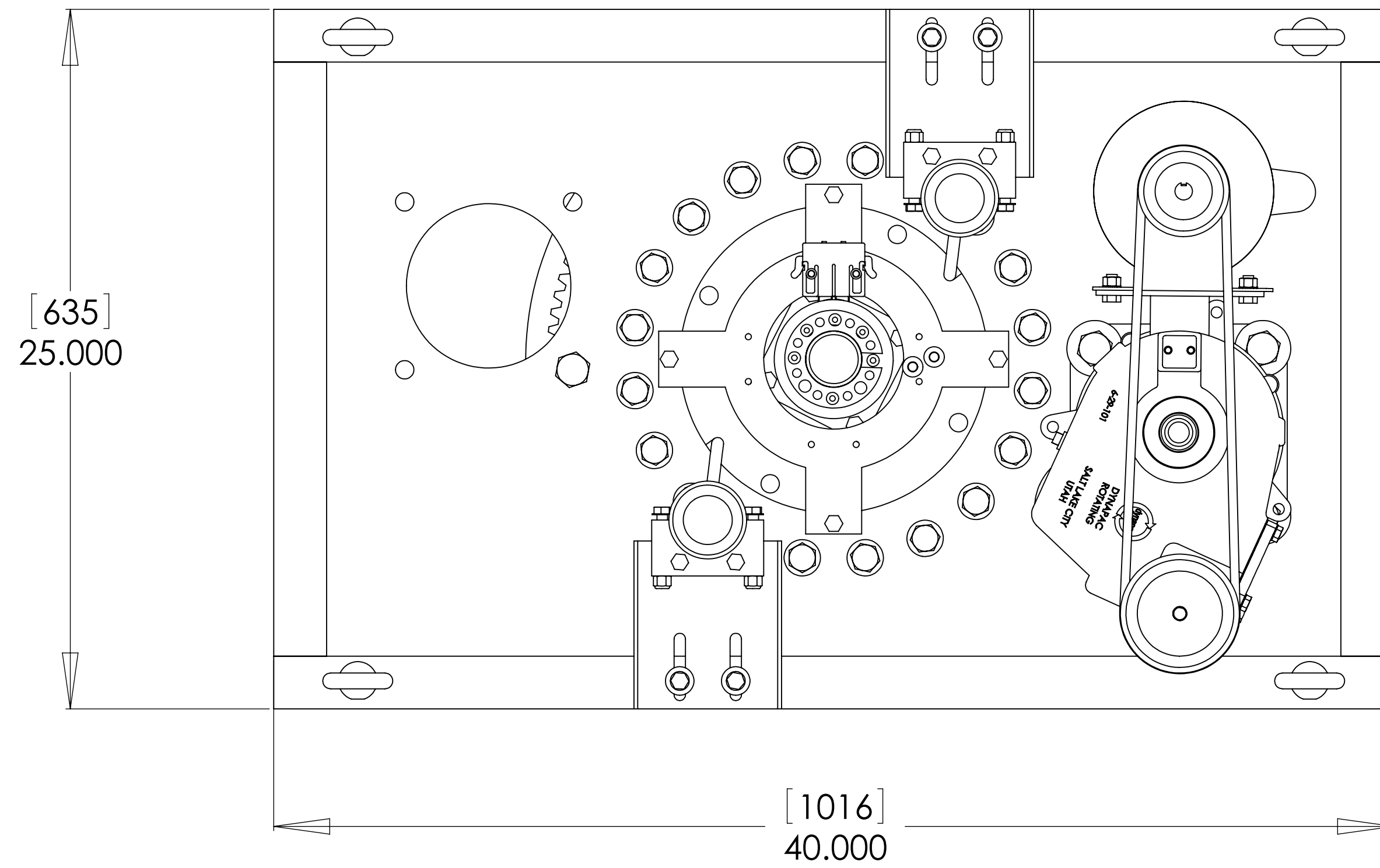
NO. REQ'D.	DESCRIPTION OR NAME	DWG. SIZE	PART NO.	FINO. NO.
BILL OF MATERIAL				
Dynapac Rotating Company, Inc. Salt Lake City, Utah				
SCALE:		NEXT ASSY. NO.	NO. REQ'D PER NEXT ASSY.	SHT. OF
TOLERANCES	DEC. ±	FINAL ASSY. NO.	NO. REQ'D PER FINAL ASSY.	
FRACT. ±		DWG. BY	FILE DWG. SIZE	DRAWING NO. REV.
ANGLES ±		CHK. BY		
		APPR. BY		



MODEL L-550G

MAX. WEIGHT = 15000 lb. (6803 Kg)
 MAX. SHEAR = 12600 lb. (5715 Kg)
 MAX. BENDING = 36000 ft-lb (4989 kg-m / 48823 N-m)
 MAX. TORQUE = 1200 ft-lb (166.3 Kg-m / 1627 N-m) (WITH 4:1 GEAR DRIVE)

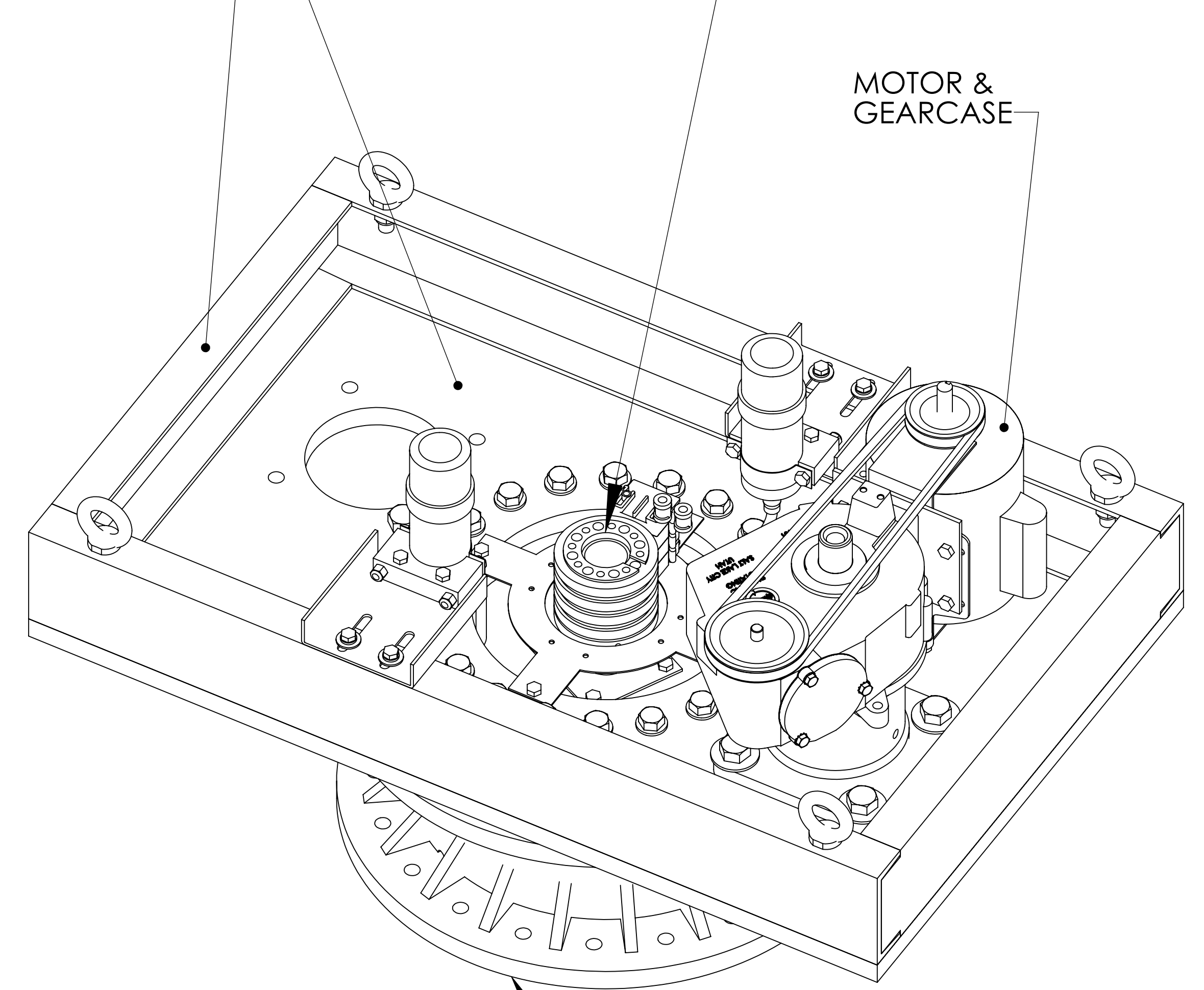
UNLESS OTHERWISE SPECIFIED DIMENSIONS ARE IN INCHES		APPROVALS	DATE	L-550G DYNAPAC ROTATING CO. SALT LAKE CITY, UTAH 
TOLERANCES:		DRAWN		
FRACTIONAL	± 1/32	CHECKED		
ANGULAR	± 2"	ENG APPR.		
DECIMAL	X ± .125 XX ± .030 XXX ± .010			
<small>PROPRIETARY AND CONFIDENTIAL THE INFORMATION CONTAINED IN THIS DRAWING IS THE SOLE PROPERTY OF DYNAPAC ROTATING CO. INC. ANY REPRODUCTION IN PART OR AS A WHOLE WITHOUT THE WRITTEN PERMISSION OF DYNAPAC ROTATING CO. INC. IS PROHIBITED.</small>		MATERIAL	APPLICATION	
FINISH		NEXT ASSY		
		FINAL ASSY		
© COPYRIGHT DYNAPAC ROTATING CO. INC. ALL RIGHTS RESERVED		SIZE DWG. NO.	REV	
		D 136023 321	A-05	
		SCALE: 1:2	SHEET 3 OF 5	



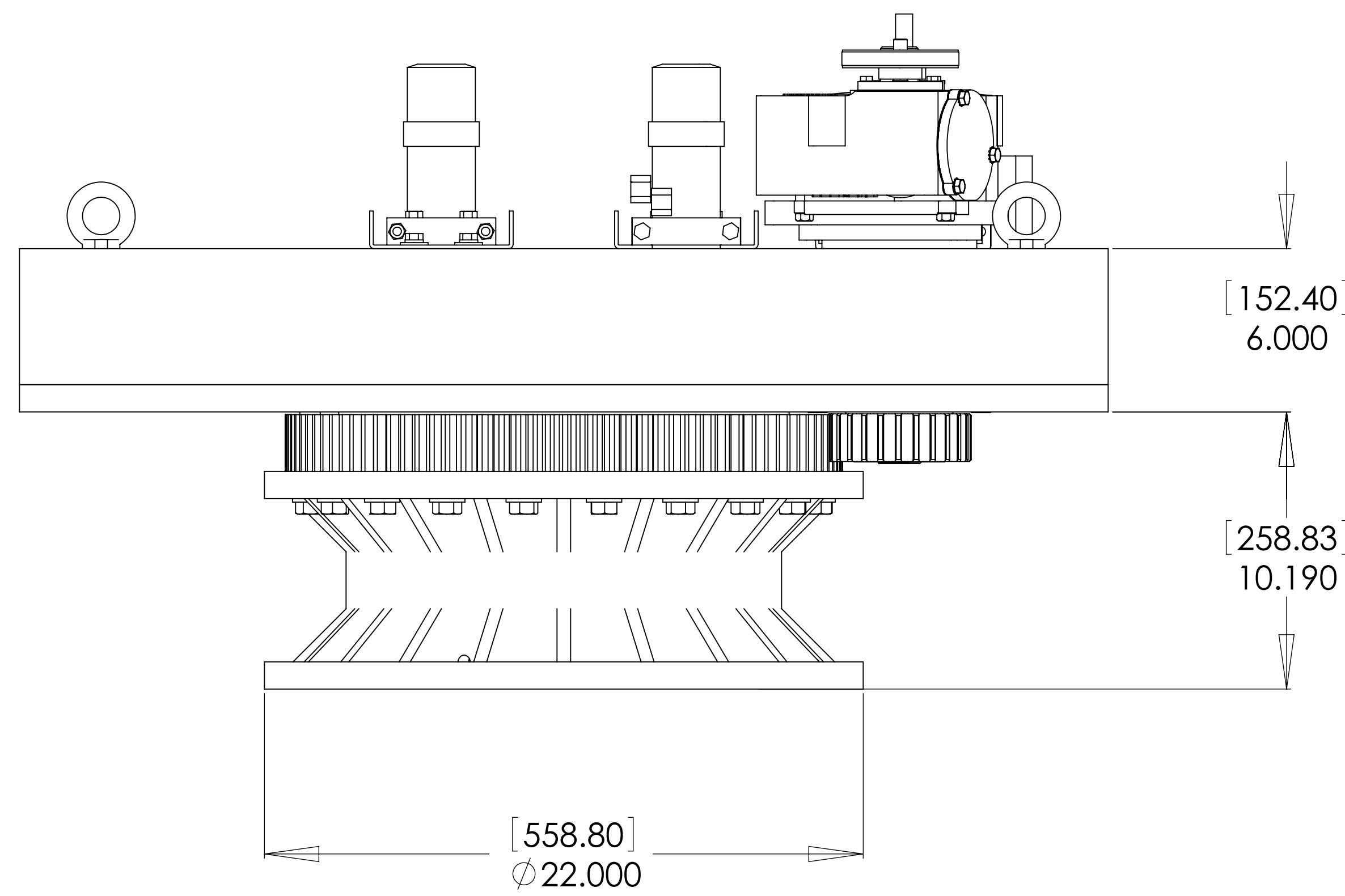
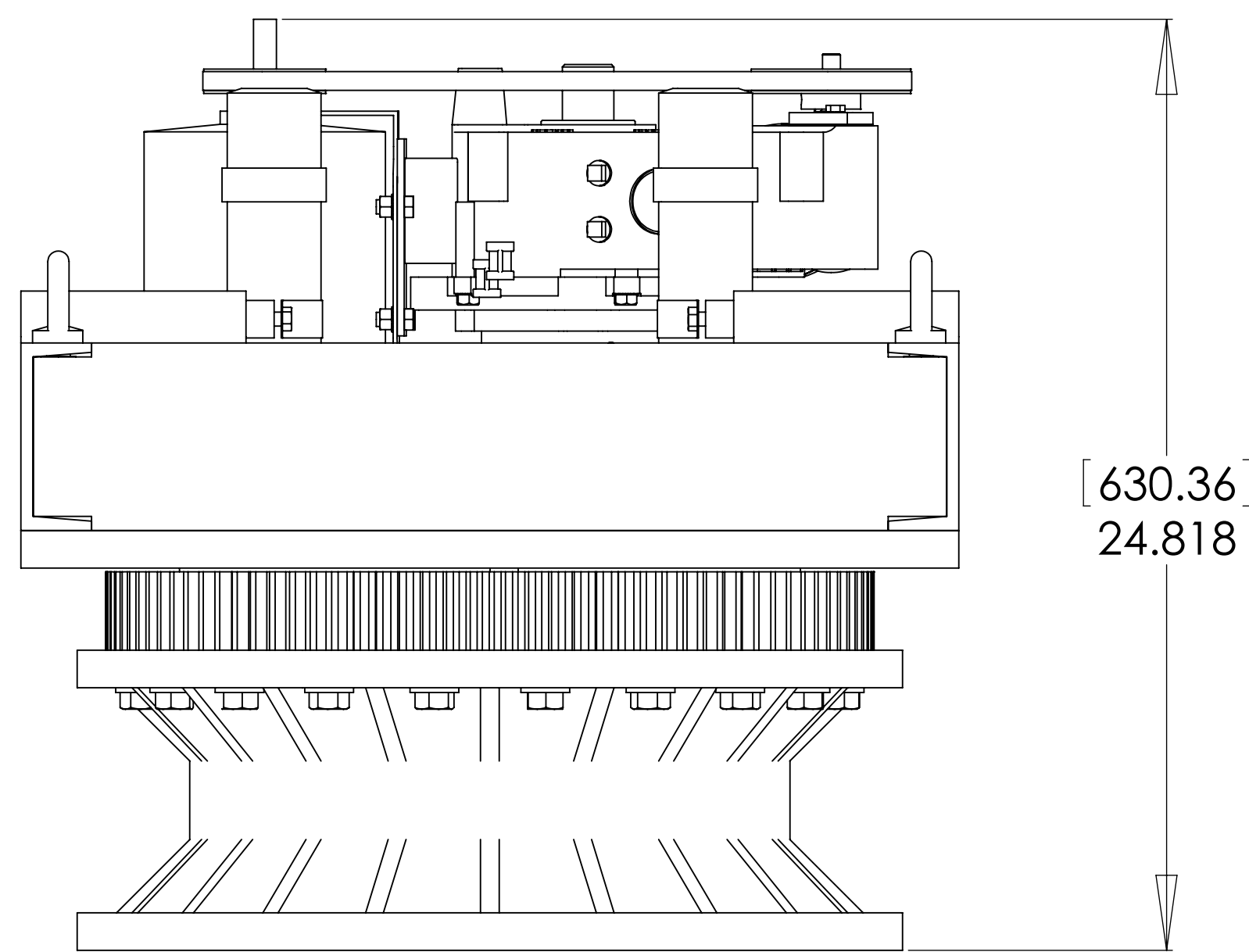
MAIN FRAME
(ATTACH SIGN HERE)

COLLECTOR RING
AND BRUSH ASSEMBLY

MOTOR &
GEARCASE



TURNTABLE



DYNAPAC MODEL L-550G ROTATOR

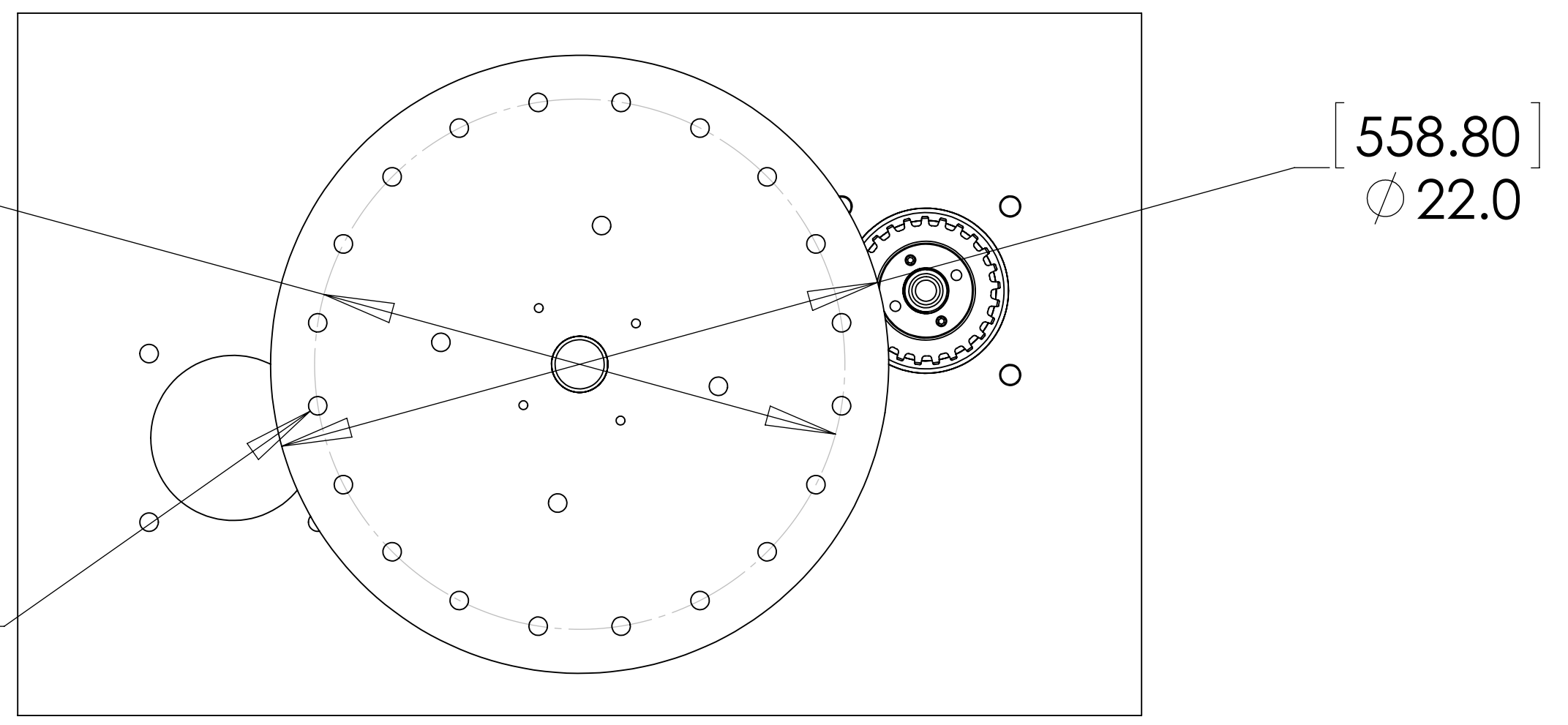
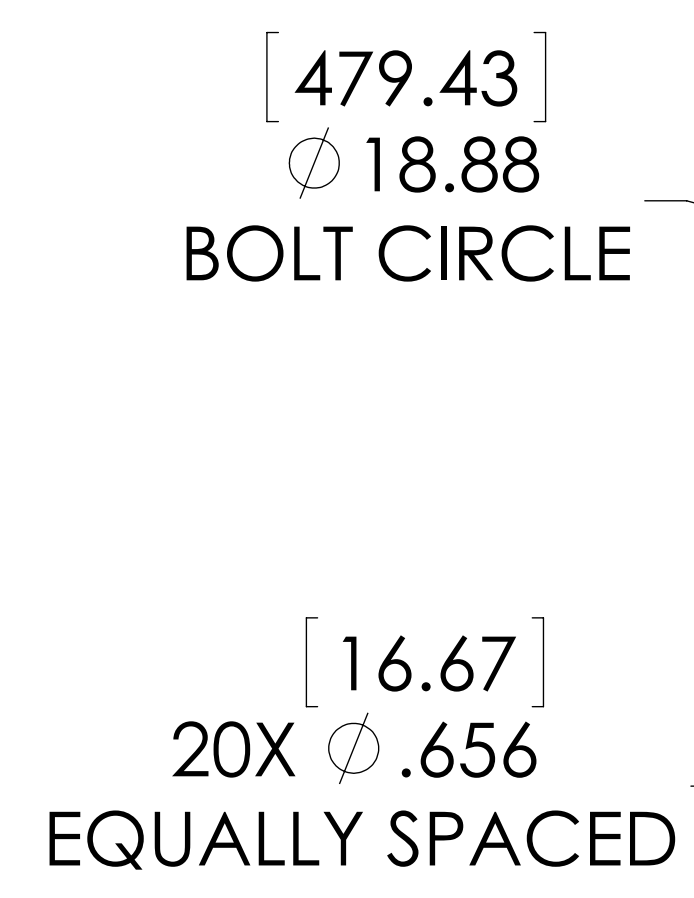
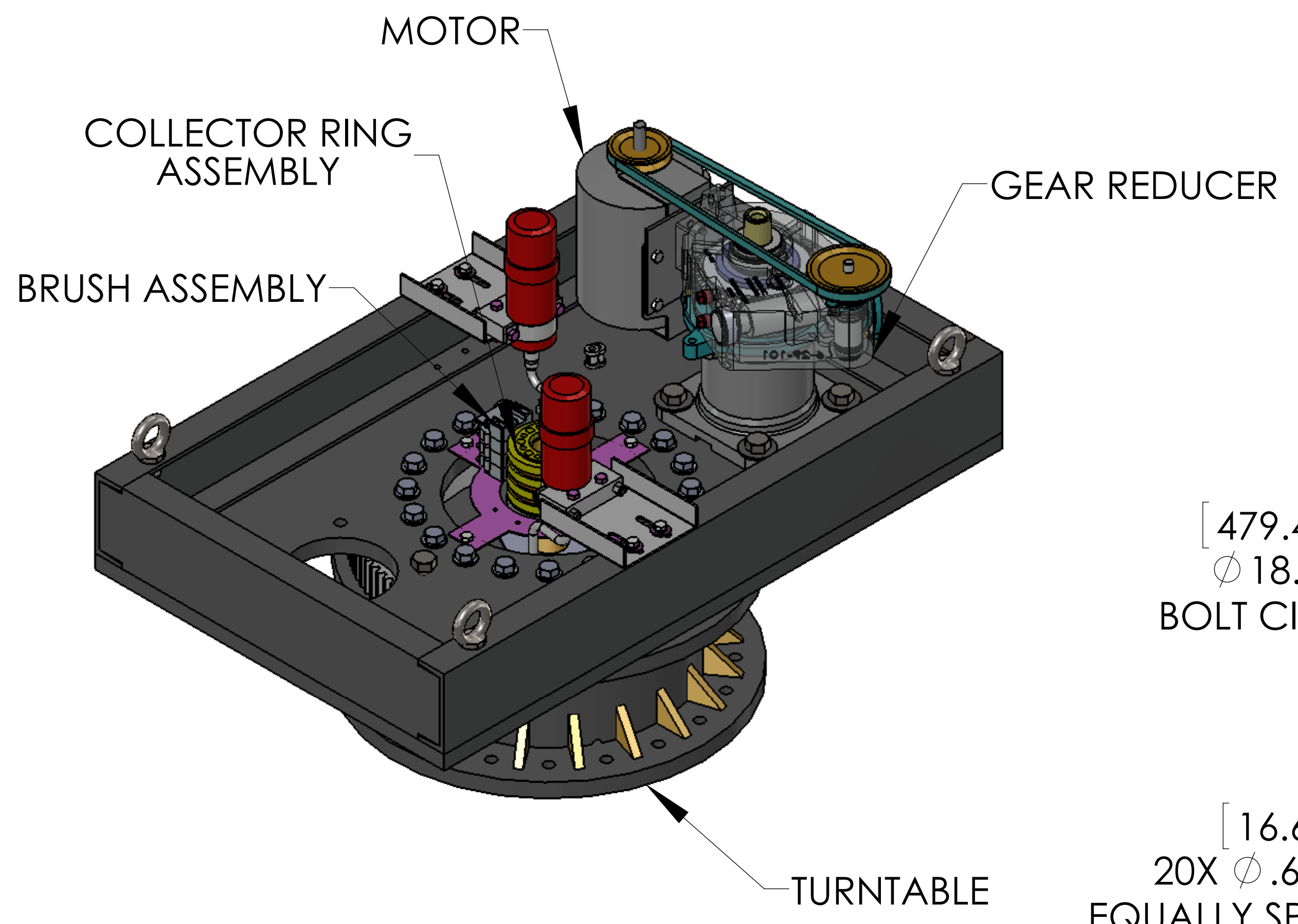
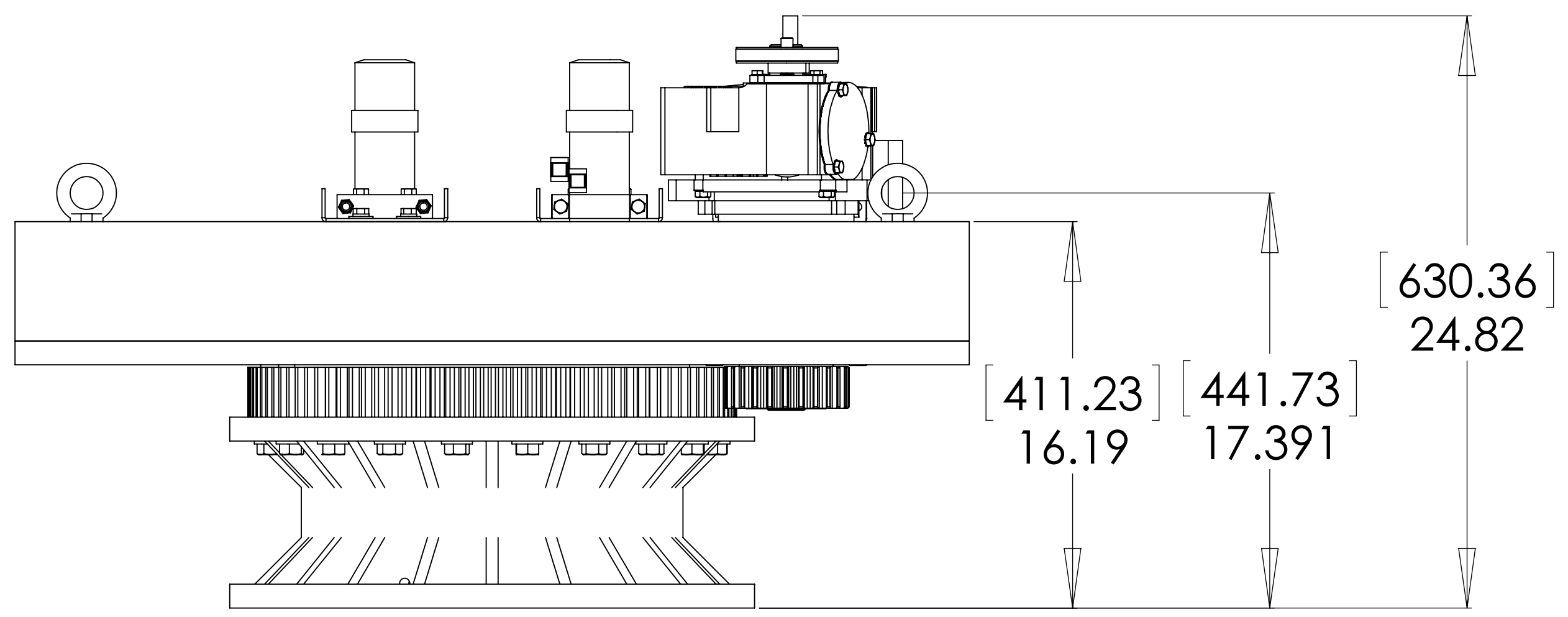
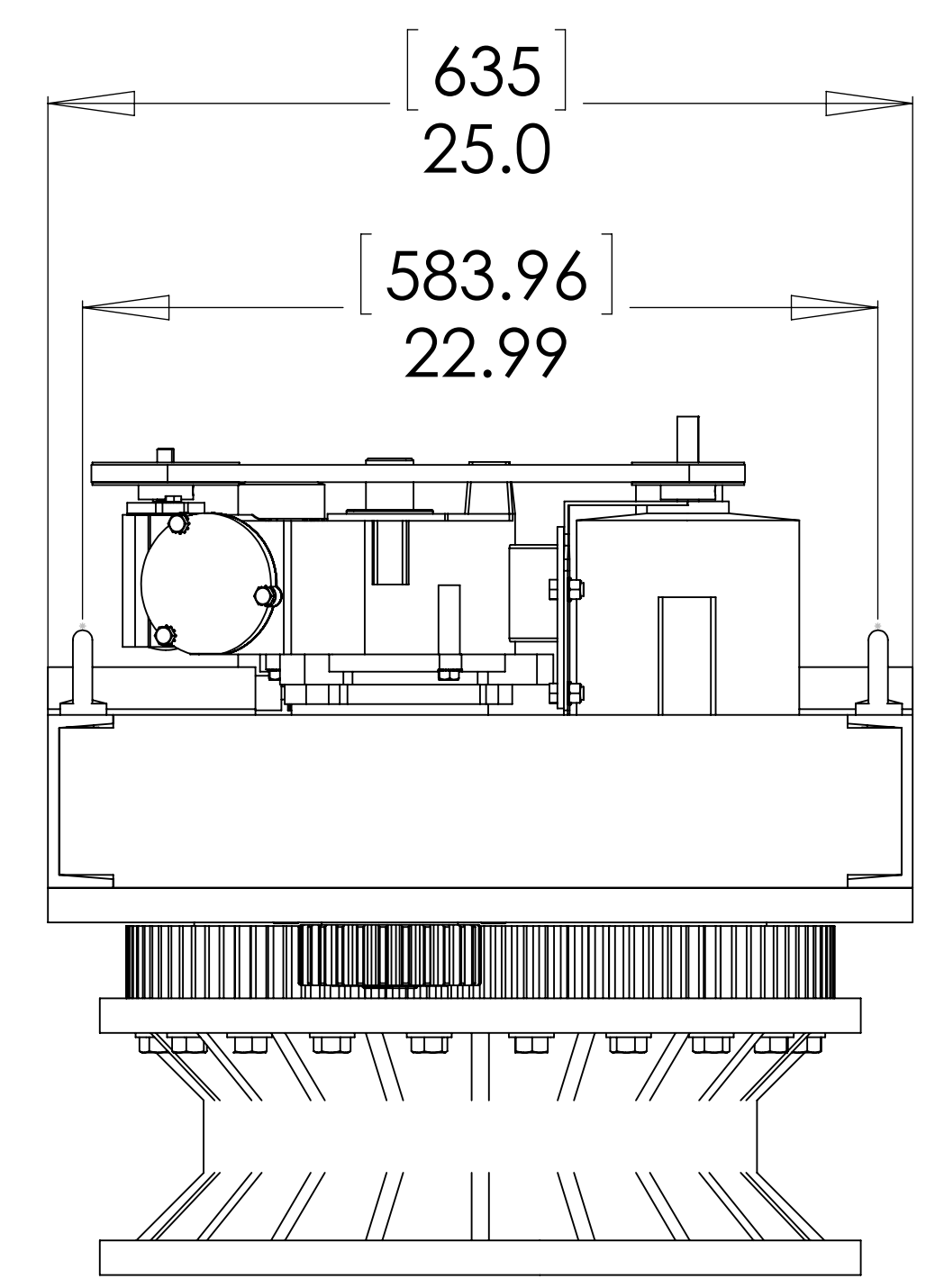
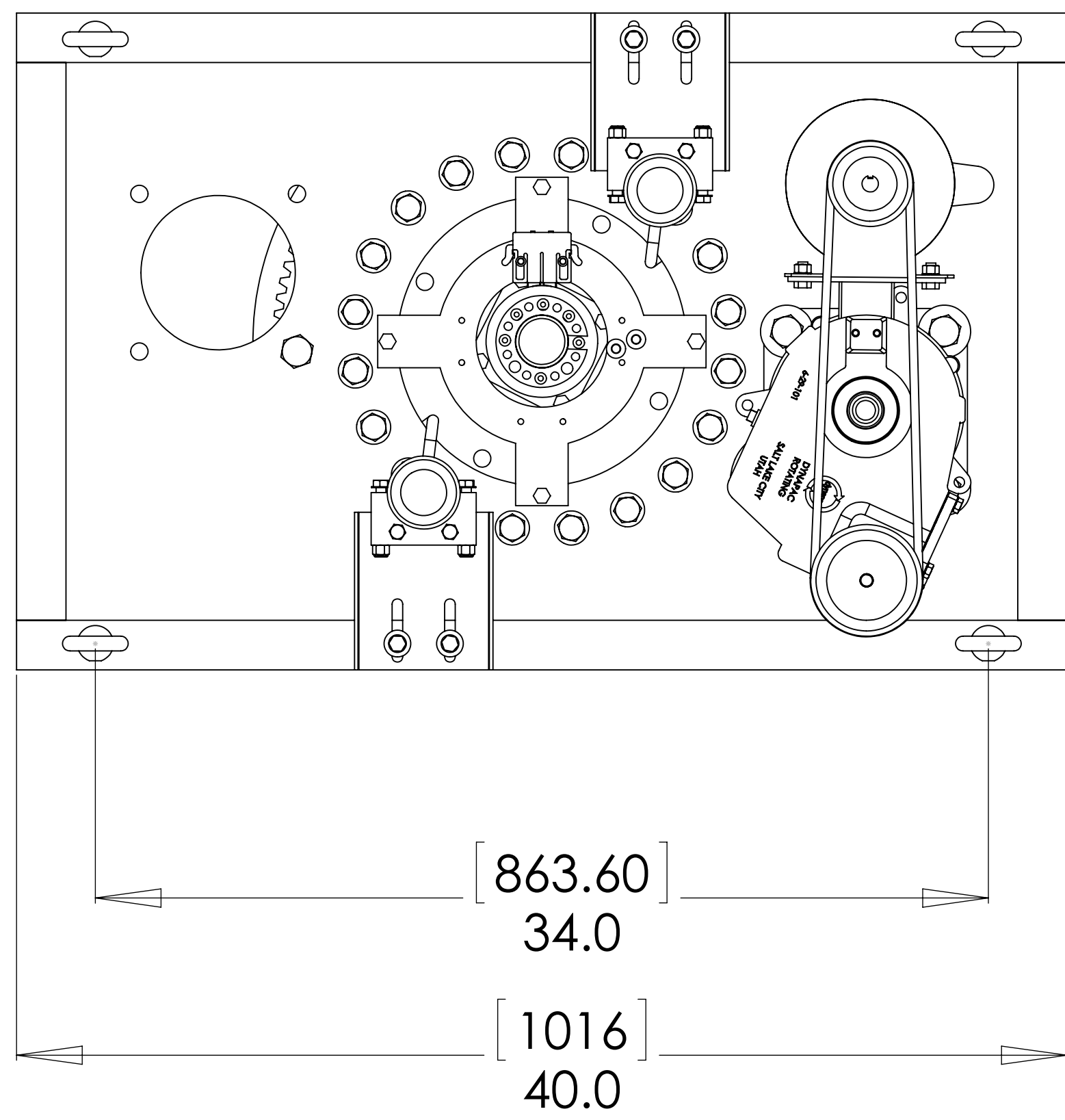
UNLESS OTHERWISE SPECIFIED DIMENSIONS ARE IN INCHES		APPROVALS	DATE
TOLERANCES:		DRAWN	
FRACTIONAL	± 1/32	CHECKED	
ANGULAR	± 2"	ENG APPR.	
DECIMAL	X ± .125 XX ± .030 XXX ± .010		
MATERIAL		APPLICATION	SIZE DWG. NO.
FINISH		NEXT ASSY	REV
		FINAL ASSY	D 136023 321A-05
			SCALE: 1:4 SHEET 4 OF 5

L-550G

DYNAPAC ROTATING CO.
SALT LAKE CITY, UTAH



PROPRIETARY AND CONFIDENTIAL
THE INFORMATION CONTAINED IN THIS DRAWING
IS THE SOLE PROPERTY OF DYNAPAC ROTATING
CO. INC. ANY REPRODUCTION IN PART OR AS
A WHOLE WITHOUT THE WRITTEN PERMISSION OF
DYNAPAC ROTATING CO. INC. IS PROHIBITED.
© COPYRIGHT DYNAPAC ROTATING CO. INC.
ALL RIGHTS RESERVED



UNLESS OTHERWISE SPECIFIED DIMENSIONS ARE IN INCHES		APPROVALS	DATE
TOLERANCES:	FRACTIONAL : 1/32	ALEX CAMPBELL	6/24/13
	ANGULAR : 2°	CHECKED	
	DECIMAL .XX ±.030	ENG APPR.	
	.XXX ±.010		

MODEL L-550G

DYNAPAC ROTATING CO. SALT LAKE CITY, UTAH

SCALE: 1:5

SIZE DWG. NO. REV
D 136023 321 A-05

SHEET 5 OF 5

PROPRIETARY AND CONFIDENTIAL
THE INFORMATION CONTAINED IN THIS DRAWING IS THE SOLE PROPERTY OF DYNAPAC ROTATING CO. INC. ANY REPRODUCTION IN PART OR AS A WHOLE WITHOUT THE WRITTEN PERMISSION OF DYNAPAC ROTATING CO. INC. IS PROHIBITED.
© COPYRIGHT DYNAPAC ROTATING CO. INC. ALL RIGHTS RESERVED