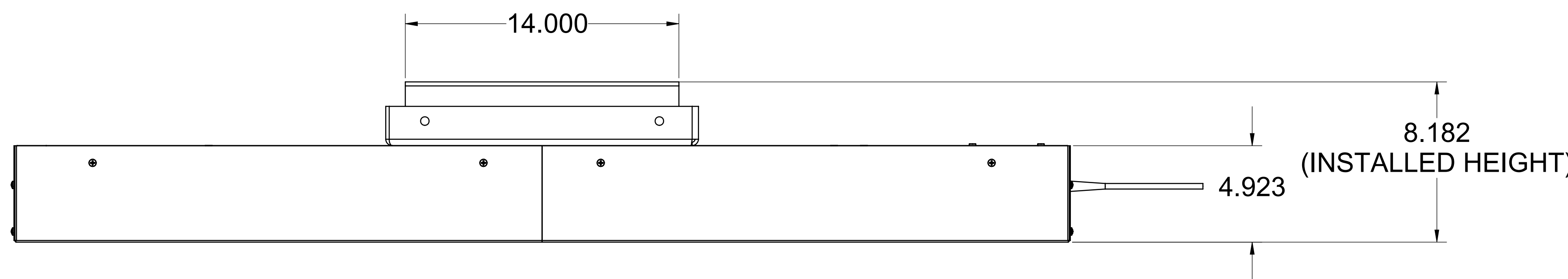
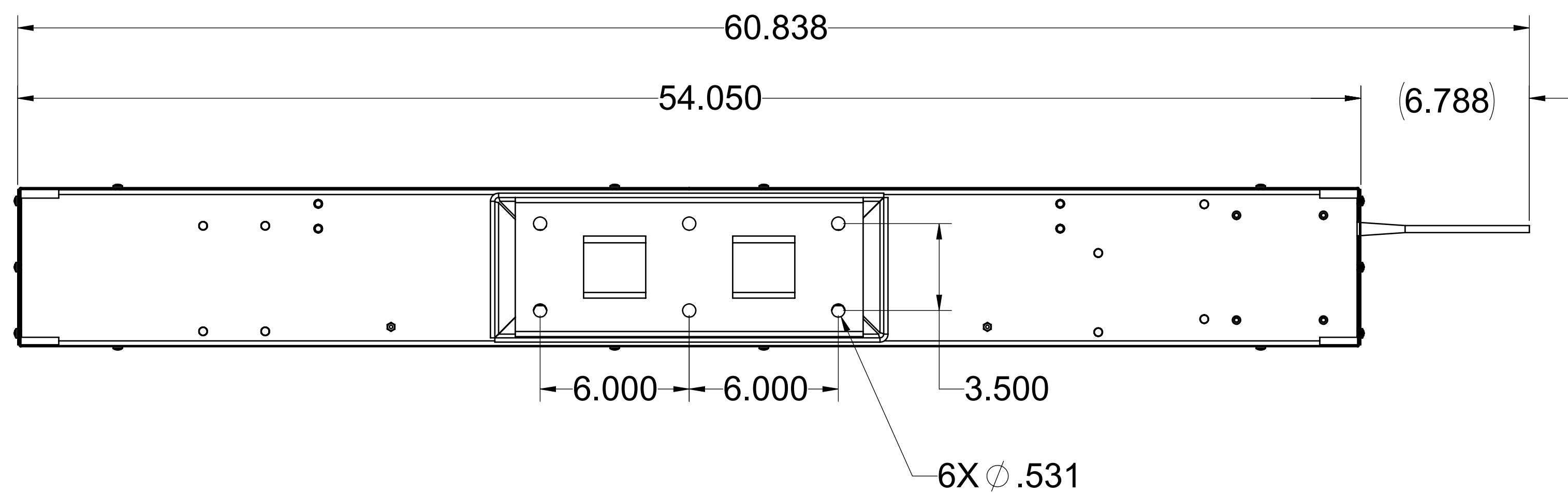
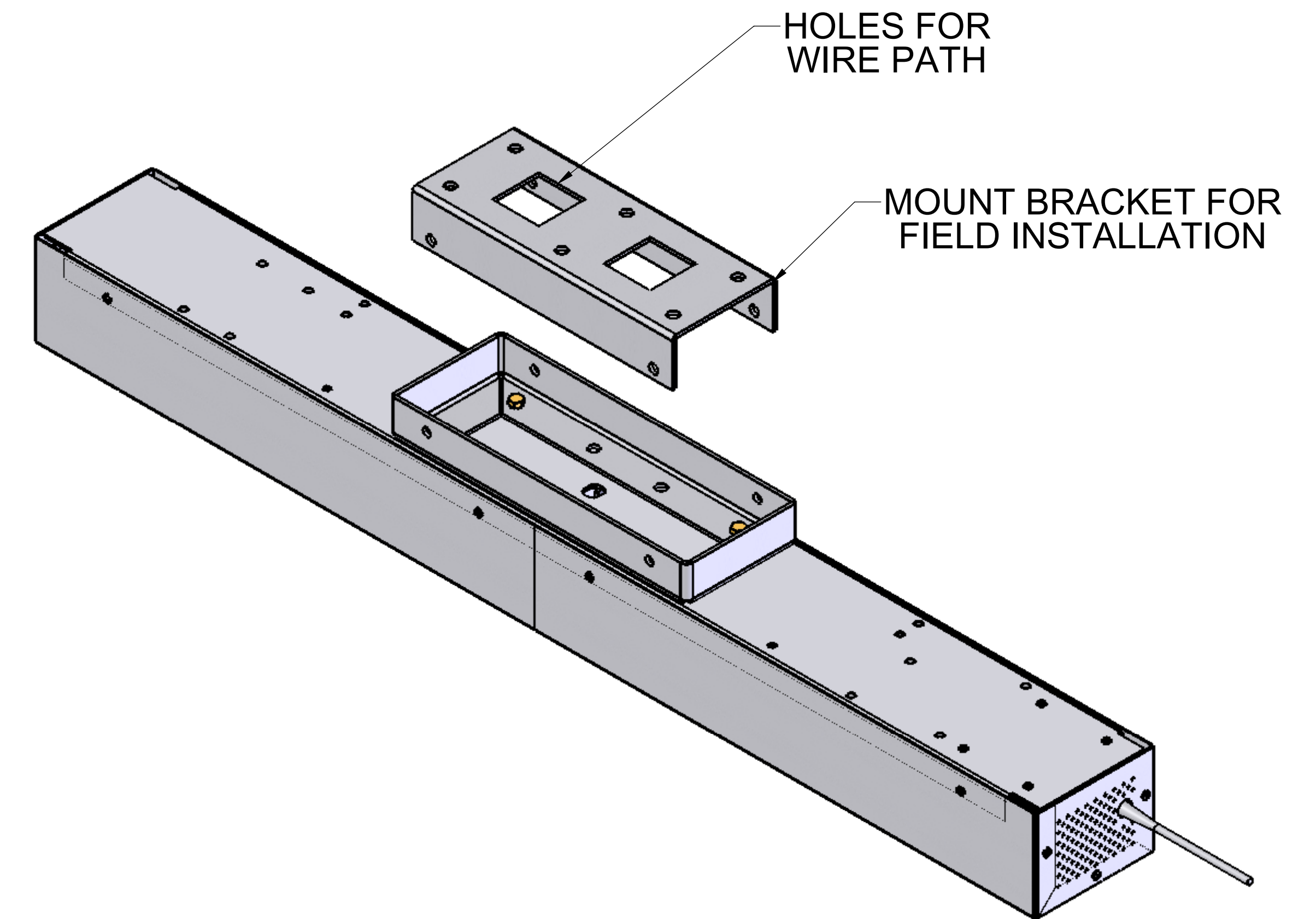


REVISIONS			
REV.	DESCRIPTION	DATE	APPROVED

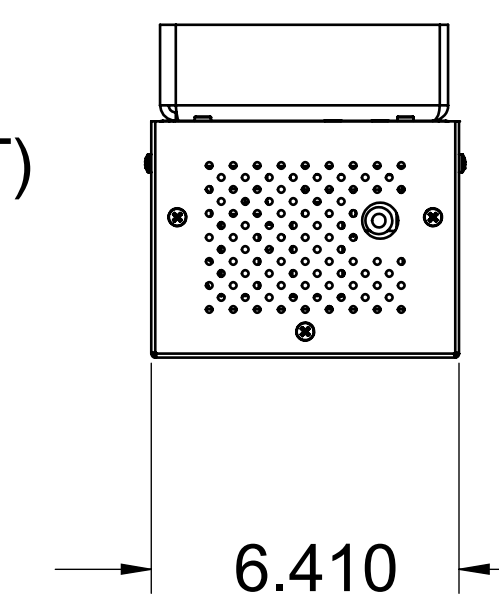
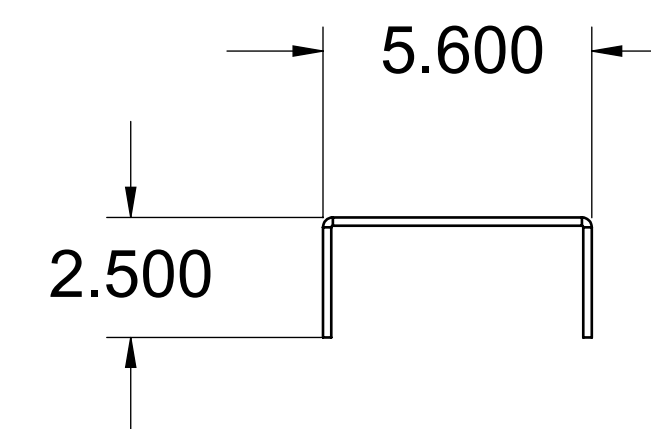
LXR Banner Hoist System Information*			
	LX-50	LX-150	LX-300
Lift Capacity	50 lbs. [23kg]	150 lbs. [68kg]	300 lbs. [136kg]
Lift Speed	10 ft/min	10 ft/min	10 ft/min
Standard Cable Length	60 ft [18.2m]	60 ft [18.2m]	60 ft [18.2m]
Power Input	110 VAC, 1.6 Amps (optional 220 Volt system available)		
Standard Color	White Powder Coated Steel		
Hoist Cable	3/32 Steel Wire Rope (2 cables, each with 920 lb [417kg] breaking strength)		

* Patent Pending



Wireless Remote Control Information:

1. Wireless Remote can operate up to 300 ft. (line of sight) away
2. Wireless Functions:
 - a) Up button
 - b) Down button
3. Each Wireless Remote is tied to one single Hoist system (color or number coded)



UNLESS OTHERWISE SPECIFIED DIMENSIONS ARE IN INCHES

TOLERANCES:
 FRACTIONAL ± 1/32
 ANGULAR ± 2°
 DECIMAL .X ± .02
 .XX ± .03
 .XXX ± .01

APPROVALS: ALEX CAMPBELL
 DATE: 2/13/15

DYNAPAC ROTATING CO.,
 SALT LAKE CITY, UTAH

PROPRIETARY AND CONFIDENTIAL
 THE INFORMATION CONTAINED IN THIS DRAWING IS THE SOLE PROPERTY OF DYNAPAC ROTATING CO., INC. ANY REPRODUCTION IN PART OR AS A WHOLE WITHOUT THE WRITTEN PERMISSION OF DYNAPAC ROTATING CO., INC. IS PROHIBITED.
 © COPYRIGHT DYNAPAC ROTATING CO., INC. ALL RIGHTS RESERVED.

MATERIAL: NEPTAL
 FINISH: FINAL ASSY

APPLICATION: LXR BANNER HOIST SPECIFICATIONS

SIZE DWG. NO.: SCALE: 1:4
 REV: X-02
 SHEET 1 OF 1