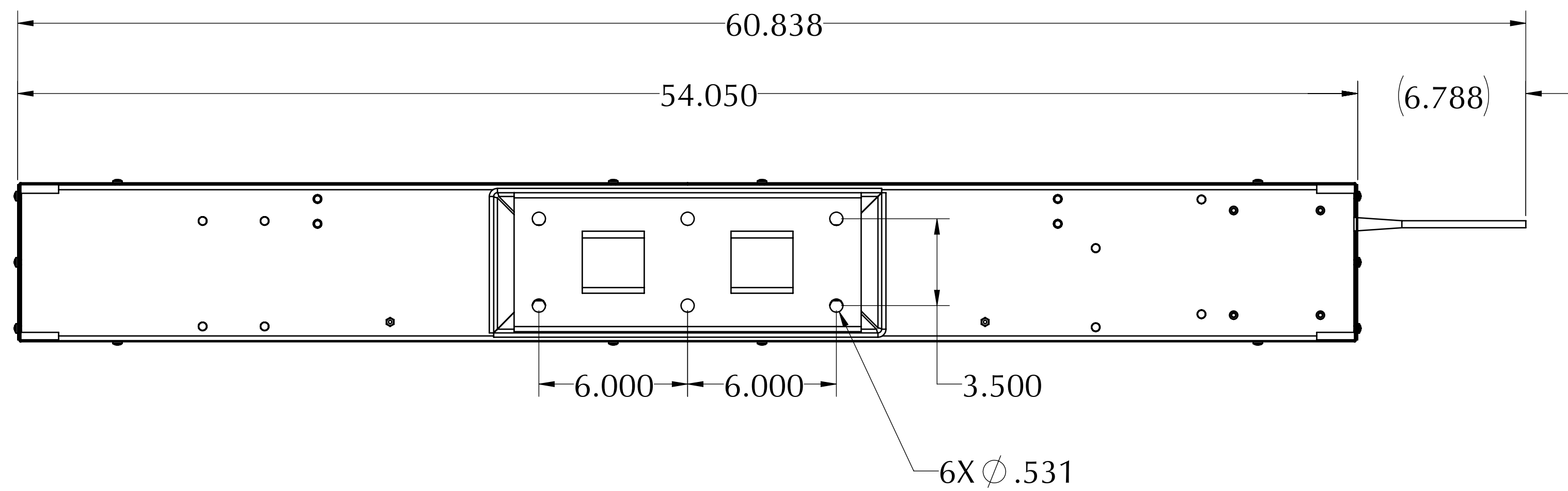
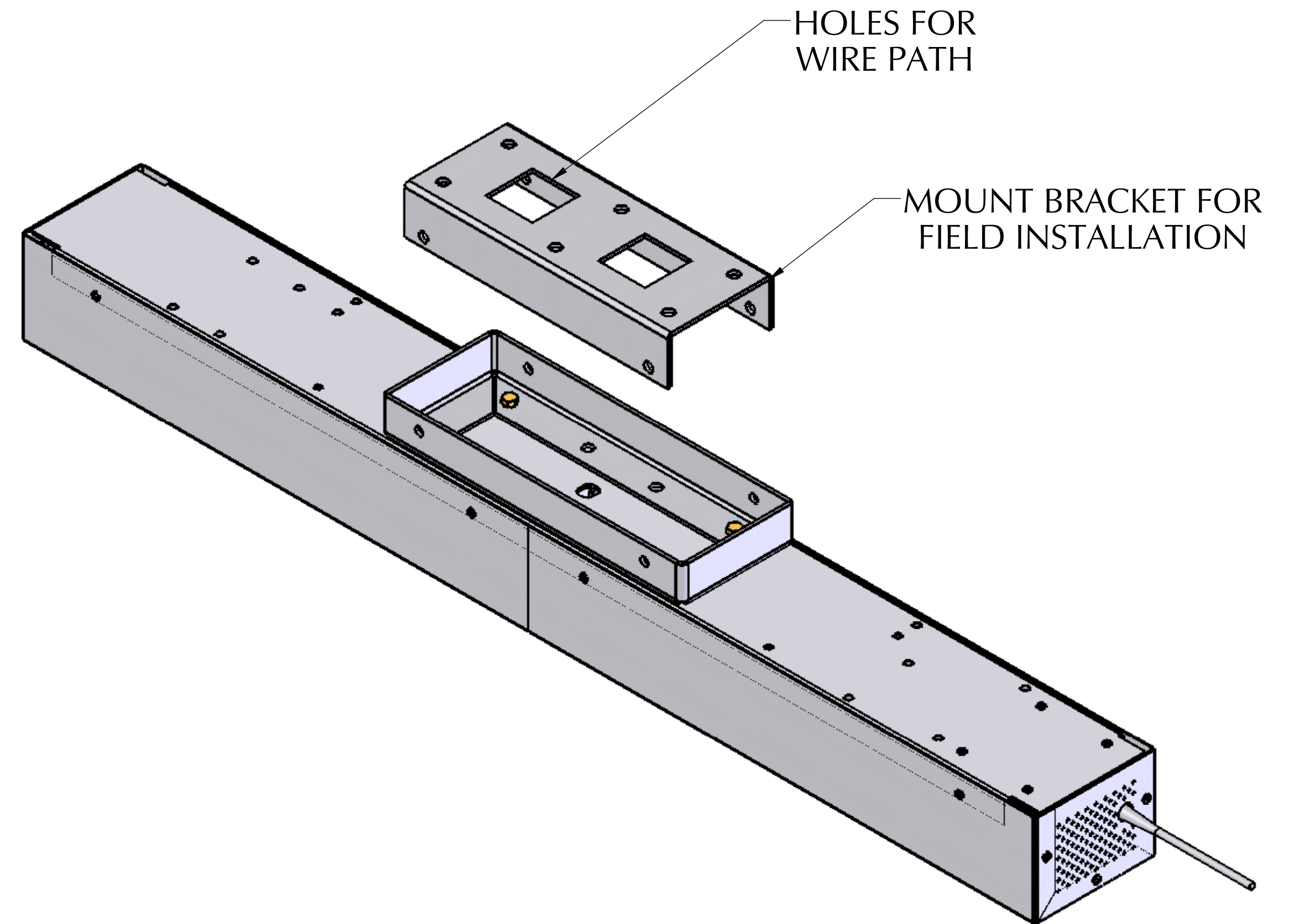


REVISIONS			
REV.	DESCRIPTION	DATE	APPROVED

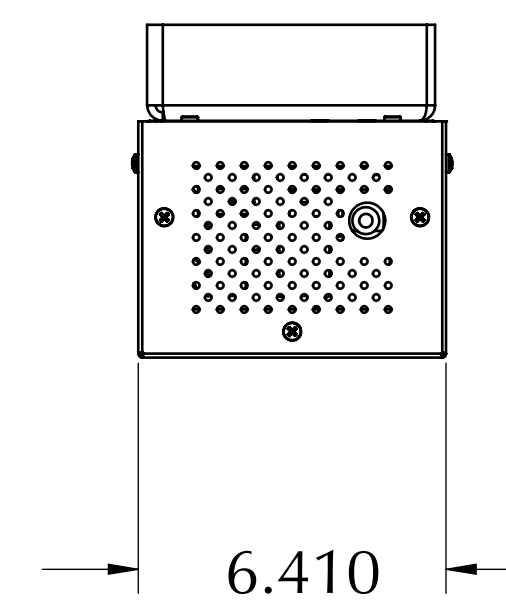
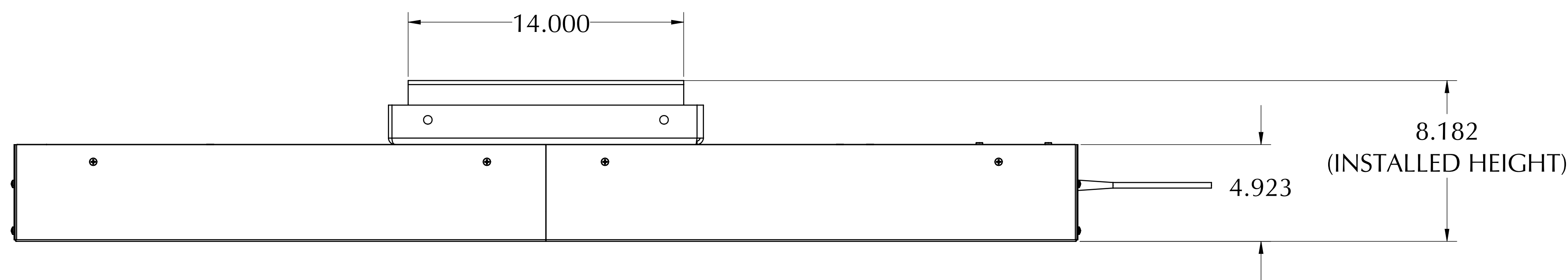
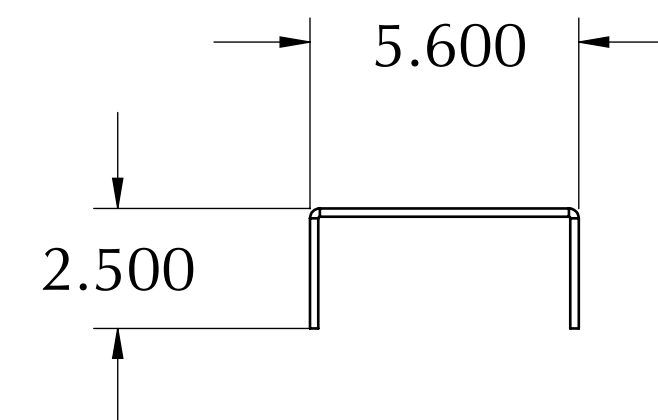
LXR Banner Hoist System Information*			
	LX-50	LX-150	LX-300
Lift Capacity	50 lbs. [23kg]	150 lbs. [68kg]	300 lbs. [136kg]
Lift Speed	10 ft/min	10 ft/min	10 ft/min
Standard Cable Length	60 ft [18.2m]	60 ft [18.2m]	60 ft [18.2m]
Power Input	110 VAC, 1.6 Amps (optional 220 Volt system available)		
Standard Color	White Powder Coated Steel		
Hoist Cable	3/32 Steel Wire Rope (2 cables, each with 920 lb [417kg] breaking strength)		

\* Patent Pending



**Wireless Remote Control Information:**

1. Wireless Remote can operate up to 300 ft. (line of sight) away
2. Wireless Functions:
  - a) Up button
  - b) Down button
3. Each Wireless Remote is tied to one single Hoist system (color or number coded)



**PROPRIETARY AND CONFIDENTIAL**  
 THE INFORMATION CONTAINED IN THIS DRAWING IS THE SOLE PROPERTY OF DYNAPAC ROTATING CO., INC. ANY REPLICATION IN PART OR AS A WHOLE WITHOUT THE WRITTEN PERMISSION OF DYNAPAC ROTATING CO., INC. IS PROHIBITED.  
 © COPYRIGHT DYNAPAC ROTATING CO., INC. ALL RIGHTS RESERVED

UNLESS OTHERWISE SPECIFIED DIMENSIONS ARE IN INCHES	APPROVALS	DATE	DYNAPAC ROTATING CO. SALT LAKE CITY, UTAH
TOLERANCES:	DRAWN: ALEX CAMPBELL	2/13/15	
FRACTIONAL ± 1/32	CHECKED:		
ANGULAR ± 2°	ENG APPR:		
DECIMAL .X ± .125 .XX ± .050 .XXX ± .010	MATERIAL	APPLICATION	SIZE DWG. NO. REV
	FINISH	NEXT ASSY	D 189006 X-02
		FINAL ASSY	SCALE: 1:4 SHEET 1 OF 1