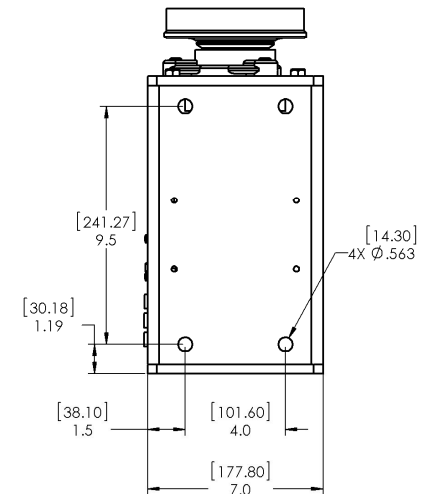
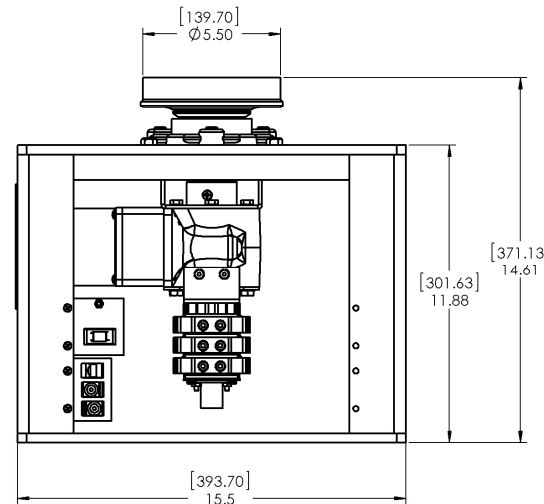
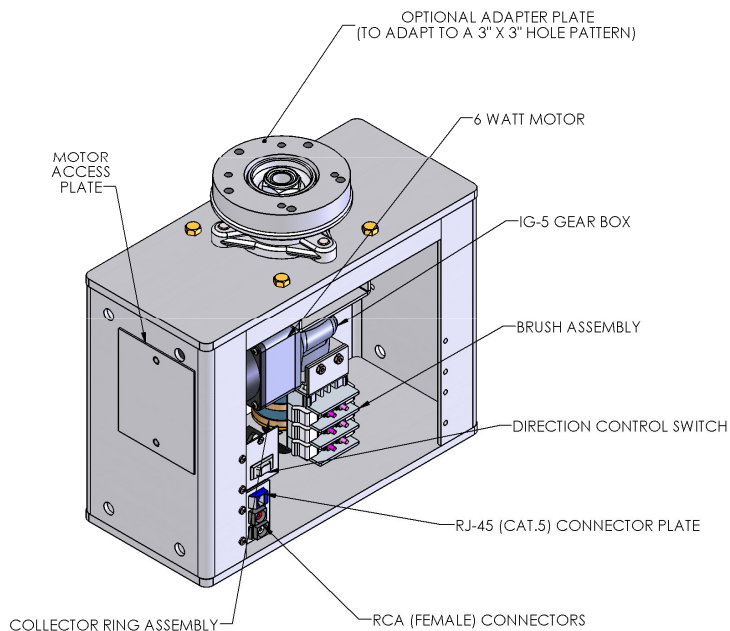
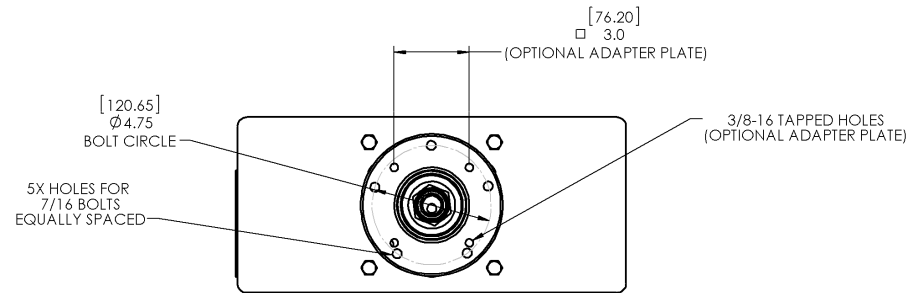




IV-1400 Video Signal - VGA

Part Number: 153050 F21IV 25W

- Hanging Weight Capacity.....1000 lbs [453.5 Kg]
- Compressive Weight Capacity.....1400 lbs [645 Kg]
- Max. Display Size.....Contact Dynapac
- Standard RPM.....2
- Torque Output @ 2 RPM.....168 in-lbs [19.1 Nm]
- Motor Draw.....1.45 A (174 watts)
- Safety Clutch.....Standard Feature
- Collector Ring Capacity.....12 wires at 2A
3 wires at 15A



Dynapac Rotating Company, Inc.
 338 Hansen Ave., Salt Lake City, UT 84115
 Phone: 801-485-2221 • Fax: 801-485-2254
 email: info@dynapacrotating.com • www.dynapacrotating.com