

Model IV-700, IV-1400 and IV-2000

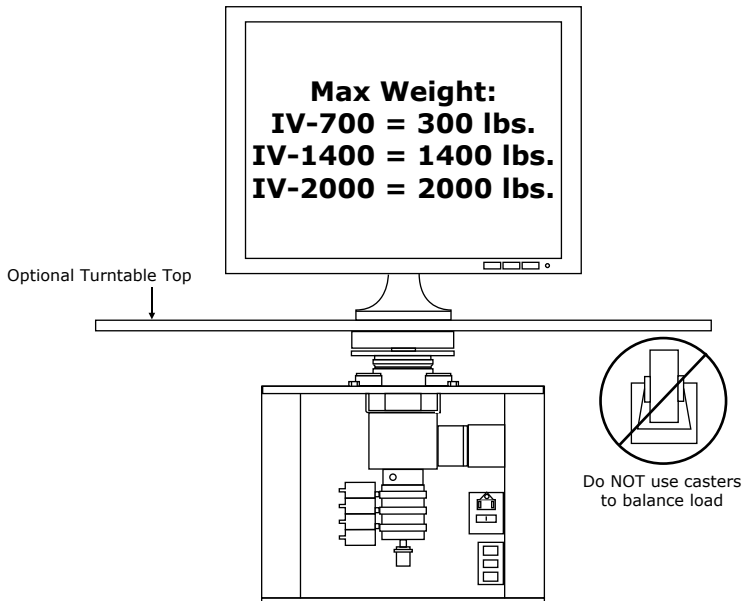
Installation and Maintenance Instructions

Questions? Call 800-657-2650 for help

For ALL installations:

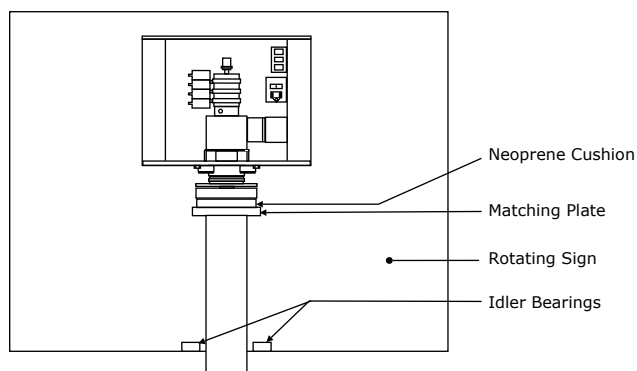
- Display or sign load MUST be balanced.
- Do NOT exceed rated capacity of unit.

Display or Sign mounted on TOP of Rotator:



- Maximum compressive weight:
IV-700 = 700 lbs.
IV-1400 = 1400 lbs.
IV-2000 = 2000 lbs.
- Max hanging weight:
IV-700 = 500 lbs.
IV-1400 = 1000 lbs.
IV-2000 = 1500 lbs.
- Maximum recommended display size:
contact Dynapac.
- Rotator may be mounted facing up or down.
- Rotator must be flat and level.
- Larger diameter turntable top may be attached to rotator turntable.
- Weight MUST be balanced (add a counter weight if needed).
- Do NOT use caster wheels to support turntable.
- Optional video cable kit available for VGA and stereo RCA connections.

Rotator inside display or sign:



- Maximum compressive weight:
IV-700 = 700 lbs.
IV-1400 = 1400 lbs.
IV-2000 = 2000 lbs.
- Maximum hanging weight:
IV-700 = 500 lbs.
IV-1400 = 1000 lbs.
IV-2000 = 1500 lbs.
- Maximum recommended display size:
contact Dynapac.
- Mount rotator inside sign, above center line.
- Sign must be bolted to rotator frame.
- Mount idler bearings to stabilize sign.
- Optional video cable kit available for VGA and stereo RCA connections.

Maintenance:

No regular maintenance is required for this unit.





Phone: 800-657-2650
Email: info@dynapacrotating.com
www.dynapacrotating.com

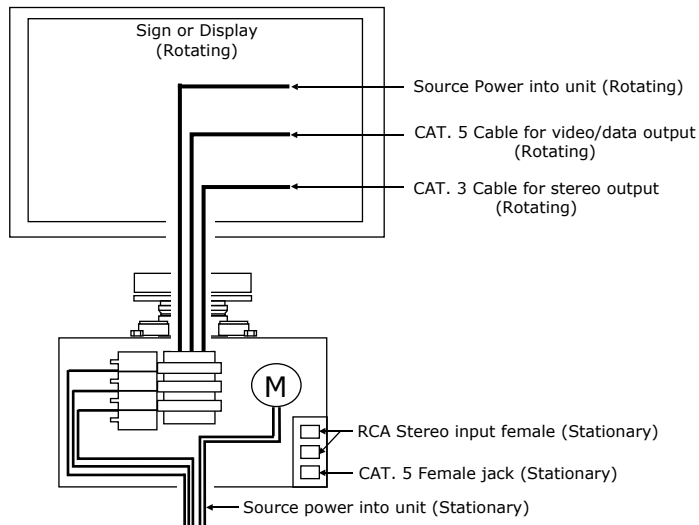
Model IV-700, IV-1400 and IV-2000

Electrical Connections

Questions? Call 800-657-2650 for help

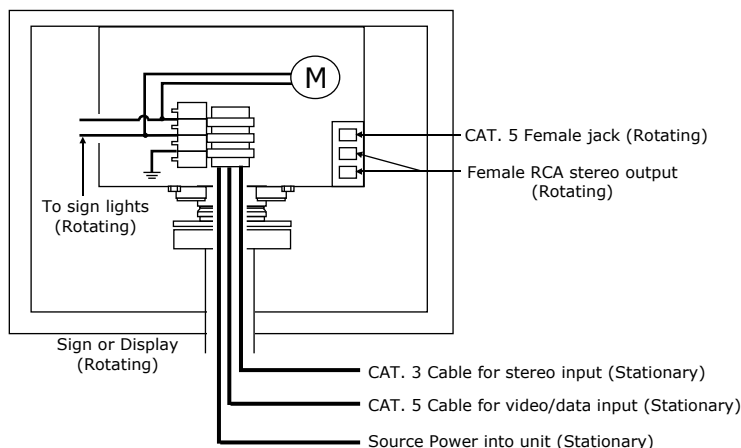
⚠ WARNING	
	Disconnect power before servicing or installing. Do not touch any electrical components while unit is connected to power source.
	Keep hands clear while operating. Read installation and maintenance instructions prior to operation.

Turntable facing up:



- **WARNING!** Electrical components are live when unit is plugged in.
- Do NOT exceed rated electrical capacity of unit. (See label on unit)
- Stationary source power wiring attaches to brush assembly.
- Motor does not turn, and can be attached directly to source power wiring.
- Rotating sign wiring attaches to collector ring.
- CAT. 5 or VGA cables are required to transfer data.
- Motor power draw = 0.1 A (12 watts)
- Optional video cable kit available for VGA and stereo RCA connections.

Turntable facing down:



- **WARNING!** Electrical components are live when unit is plugged in.
- Do NOT exceed rated electrical capacity of unit. (See label on unit)
- Stationary source power wiring attaches to the collector ring.
- Rotating sign wiring attaches to the brush assembly.
- CAT. 5 or VGA cables are required to transfer data.
- Motor power draw = 0.1 A (12 watts)
- Optional video cable kit available for VGA and stereo RCA connections.

