

# Model IR-600

## Installation and Maintenance Instructions

Questions? Call 800-657-2650 for help

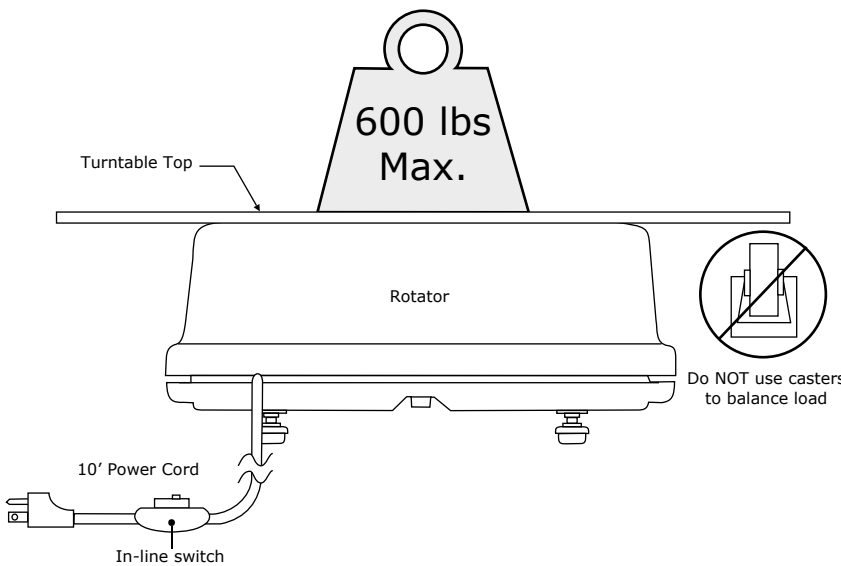
### For ALL installations:

- Display or sign load MUST be balanced.
- Do NOT use stabilizer casters or wheels.
- Do NOT exceed rated capacity of unit.

### Choose installation method below:

#### Display or Sign mounted on TOP of Rotator:

- Maximum compressive weight = 600 lbs
- Maximum recommended display size = 6' x 6'
- Rotator must be placed on a flat and level surface.
- Larger diameter turntable top may be attached to rotator turntable.
- Weight MUST be balanced (add a counter weight if needed).
- Do NOT use caster wheels to support turntable.



**WARNING! Do NOT hang weight from unit.**  
Hanging Weight will cause unit to come apart and fall.

### Maintenance:

No regular maintenance is required for this unit.





Phone: 800-657-2650  
Email: [info@dynapacrotating.com](mailto:info@dynapacrotating.com)  
[www.dynapacrotating.com](http://www.dynapacrotating.com)

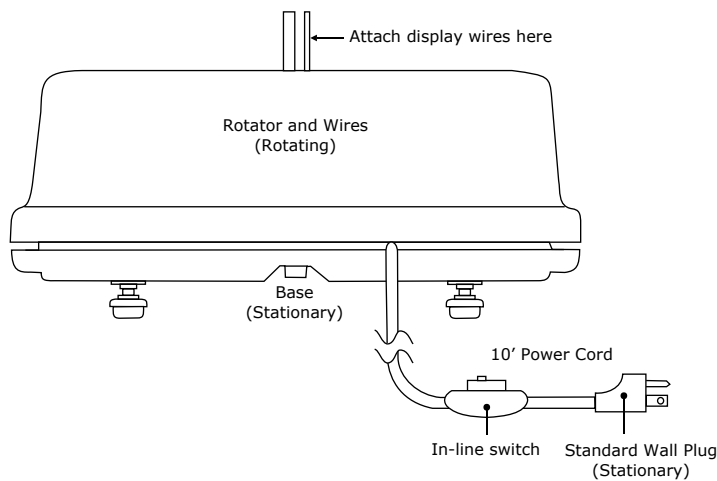
# Model IR-600

## Electrical Connections

Questions? Call 800-657-2650 for help

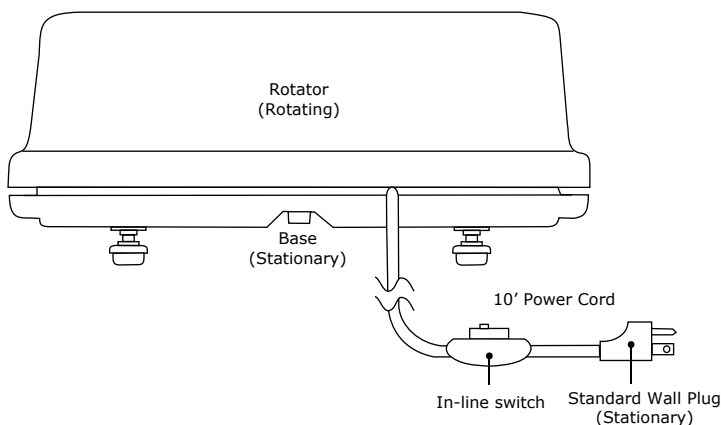
<b>⚠ WARNING</b>	
	Disconnect power before servicing or installing. Do not touch any electrical components while unit is connected to power source.
	Keep hands clear while operating. Read installation and maintenance instructions prior to operation.

### Unit with rotating wires:



- **WARNING!** Electrical connections are live when unit is plugged in and switched on.
- Do NOT exceed rated electrical capacity of unit. (see label on unit)
- Attach display wires to rotating turntable wires.
- Plug unit into wall.
- Turn on in-line switch to start unit.
- Motor power draw = 0.1 A (12 watts)

### Unit without rotating wires:



- No rotating electrical wires are available.
- Plug unit into wall.
- Turn on in-line switch to start unit.
- Motor power draw = 0.1 A (12 watts)

